

High-Performance 6-Axis MEMS MotionTracking™ Device

GENERAL DESCRIPTION

The MPU-6886 is a 6-axis MotionTracking device that combines a 3-axis gyroscope and a 3-axis accelerometer in a small 3 mm x 3 mm x 0.75 mm 24-pin LGA package.

- High performance specs:
 - Gyroscope sensitivity error: $\pm 1\%$
 - Gyroscope noise: ± 4 mdps/vHz
 - Accelerometer noise: 100 $\mu\text{g}/\text{vHz}$
- Includes 1 kB FIFO to reduce traffic on the serial bus interface, and reduce power consumption by allowing the system processor to burst read sensor data and then go into low-power mode
- EIS FSYNC support

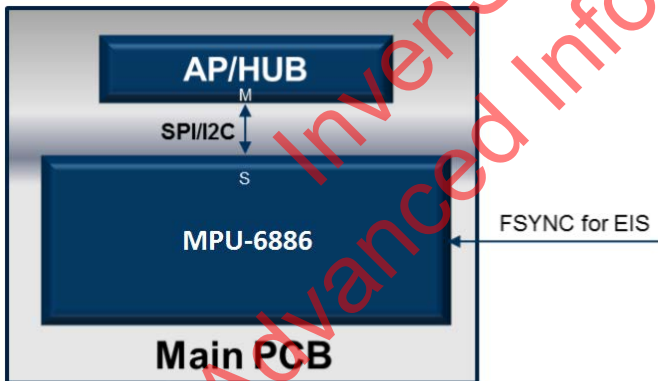
MPU-6886 includes on-chip 16-bit ADC's, programmable digital filters, an embedded temperature sensor, and programmable interrupts. The device features an operating voltage range down to 1.71V. Communication ports include I²C and high speed SPI at 10 MHz.

ORDERING INFORMATION

| PART | TEMP RANGE | PACKAGE |
|-----------|----------------|------------|
| MPU-6886† | -40°C to +85°C | 24-Pin LGA |

†Denotes RoHS and Green-Compliant Package

BLOCK DIAGRAM



APPLICATIONS

- Smartphones and Tablets
- Wearable sensors
- IoT Applications
- Motion-based game controllers
- 3D remote controls for Internet connected DTVs and set top boxes, 3D mice

FEATURES

- 3-Axis gyroscope with programmable FSR of ± 250 dps, ± 500 dps, ± 1000 dps, and ± 2000 dps
- 3-Axis accelerometer with programmable FSR of $\pm 2g$, $\pm 4g$, $\pm 8g$, and $\pm 16g$
- User-programmable interrupts
- Wake-on-motion interrupt for low power operation of applications processor
- 1 kB FIFO buffer enables the applications processor to read the data in bursts
- On-Chip 16-bit ADCs and Programmable Filters
- Host interface: 10 MHz SPI or 400 kHz I²C
- Digital-output temperature sensor
- VDD operating range of 1.71V to 3.45V
- MEMS structure hermetically sealed and bonded at wafer level
- RoHS and Green compliant

TYPICAL OPERATING CIRCUIT

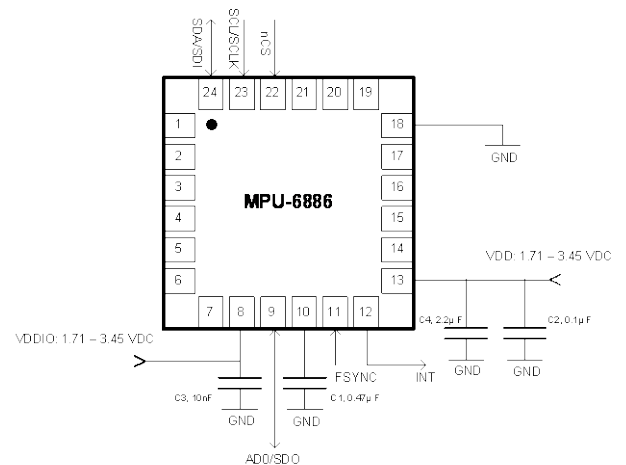


TABLE OF CONTENTS

GENERAL DESCRIPTION 1

ORDERING INFORMATION 1

APPLICATIONS 1

FEATURES 1

TYPICAL OPERATING CIRCUIT 1

1 INTRODUCTION.....7

1.1 PURPOSE AND SCOPE 7

1.2 PRODUCT OVERVIEW 7

1.3 APPLICATIONS..... 7

2 FEATURES 8

2.1 GYROSCOPE FEATURES 8

2.2 ACCELEROMETER FEATURES..... 8

2.3 ADDITIONAL FEATURES 8

3 ELECTRICAL CHARACTERISTICS..... 9

3.1 GYROSCOPE SPECIFICATIONS..... 9

3.2 ACCELEROMETER SPECIFICATIONS..... 10

3.3 ELECTRICAL SPECIFICATIONS..... 11

3.4 I²C TIMING CHARACTERIZATION 14

3.5 SPI TIMING CHARACTERIZATION..... 15

3.6 ABSOLUTE MAXIMUM RATINGS 16

4 APPLICATIONS INFORMATION 17

4.1 PIN OUT DIAGRAM AND SIGNAL DESCRIPTION 17

4.2 TYPICAL OPERATING CIRCUIT 18

4.3 BILL OF MATERIALS FOR EXTERNAL COMPONENTS 18

4.4 EXPOSED DIE PAD PRECAUTIONS..... 18

4.5 BLOCK DIAGRAM 19

4.6 OVERVIEW 19

4.7 THREE-AXIS MEMS GYROSCOPE WITH 16-BIT ADCS AND SIGNAL CONDITIONING 20

4.8 THREE-AXIS MEMS ACCELEROMETER WITH 16-BIT ADCS AND SIGNAL CONDITIONING..... 20

4.9 I2C AND SPI SERIAL COMMUNICATIONS INTERFACES..... 20

4.10 SELF-TEST 21

4.11 CLOCKING 22

4.12 SENSOR DATA REGISTERS..... 22

4.13 FIFO..... 22

4.14 INTERRUPTS..... 22

4.15 DIGITAL-OUTPUT TEMPERATURE SENSOR..... 22

4.16 BIAS AND LDOs 22

4.17 CHARGE PUMP..... 22

4.18 STANDARD POWER MODES 23

5 PROGRAMMABLE INTERRUPTS..... 24

5.1 WAKE-ON-MOTION INTERRUPT 24

6 DIGITAL INTERFACE..... 25

6.1 I²C AND SPI SERIAL INTERFACES 25

| | | |
|----------|--|-----------|
| 6.2 | I ² C INTERFACE | 25 |
| 6.3 | I ² C COMMUNICATIONS PROTOCOL | 25 |
| 6.4 | I ² C TERMS | 27 |
| 6.5 | SPI INTERFACE..... | 28 |
| 7 | REGISTER MAP..... | 29 |
| 8 | REGISTER DESCRIPTIONS..... | 32 |
| 8.1 | REGISTER 04 – GYROSCOPE LOW NOISE TO LOW POWER OFFSET SHIFT AND GYROSCOPE OFFSET TEMPERATURE COMPENSATION (TC) REGISTER..... | 32 |
| 8.2 | REGISTER 05 – GYROSCOPE LOW NOISE TO LOW POWER OFFSET SHIFT AND GYROSCOPE OFFSET TEMPERATURE COMPENSATION (TC) REGISTER..... | 32 |
| 8.3 | REGISTER 07 – GYROSCOPE LOW NOISE TO LOW POWER OFFSET SHIFT AND GYROSCOPE OFFSET TEMPERATURE COMPENSATION (TC) REGISTER..... | 33 |
| 8.4 | REGISTER 08 – GYROSCOPE LOW NOISE TO LOW POWER OFFSET SHIFT AND GYROSCOPE OFFSET TEMPERATURE COMPENSATION (TC) REGISTER..... | 33 |
| 8.5 | REGISTER 10 – GYROSCOPE LOW NOISE TO LOW POWER OFFSET SHIFT AND GYROSCOPE OFFSET TEMPERATURE COMPENSATION (TC) REGISTER..... | 33 |
| 8.6 | REGISTER 11 – GYROSCOPE LOW NOISE TO LOW POWER OFFSET SHIFT AND GYROSCOPE OFFSET TEMPERATURE COMPENSATION (TC) REGISTER..... | 33 |
| 8.7 | REGISTERS 13 TO 15 – ACCELEROMETER SELF-TEST REGISTERS..... | 34 |
| 8.8 | REGISTER 19 – X-GYRO OFFSET ADJUSTMENT REGISTER – HIGH BYTE..... | 34 |
| 8.9 | REGISTER 20 – X-GYRO OFFSET ADJUSTMENT REGISTER – LOW BYTE..... | 34 |
| 8.10 | REGISTER 21 – Y-GYRO OFFSET ADJUSTMENT REGISTER – HIGH BYTE..... | 35 |
| 8.11 | REGISTER 22 – Y-GYRO OFFSET ADJUSTMENT REGISTER – LOW BYTE..... | 35 |
| 8.12 | REGISTER 23 – Z-GYRO OFFSET ADJUSTMENT REGISTER – HIGH BYTE..... | 35 |
| 8.13 | REGISTER 24 – Z-GYRO OFFSET ADJUSTMENT REGISTER – LOW BYTE..... | 35 |
| 8.14 | REGISTER 25 – SAMPLE RATE DIVIDER..... | 35 |
| 8.15 | REGISTER 26 – CONFIGURATION | 36 |
| 8.16 | REGISTER 27 – GYROSCOPE CONFIGURATION | 37 |
| 8.17 | REGISTER 28 – ACCELEROMETER CONFIGURATION..... | 37 |
| 8.18 | REGISTER 29 – ACCELEROMETER CONFIGURATION 2..... | 37 |
| 8.19 | REGISTER 30 – GYROSCOPE LOW POWER MODE CONFIGURATION | 39 |
| 8.20 | REGISTER 32 – WAKE-ON MOTION THRESHOLD (X-AXIS ACCELEROMETER)..... | 39 |
| 8.21 | REGISTER 33 – WAKE-ON MOTION THRESHOLD (Y-AXIS ACCELEROMETER)..... | 40 |
| 8.22 | REGISTER 34 – WAKE-ON MOTION THRESHOLD (Z-AXIS ACCELEROMETER)..... | 40 |
| 8.23 | REGISTER 35 – FIFO ENABLE..... | 40 |
| 8.24 | REGISTER 54 – FSYNC INTERRUPT STATUS | 40 |
| 8.25 | REGISTER 55 – INT/DRDY PIN / BYPASS ENABLE CONFIGURATION | 41 |
| 8.26 | REGISTER 56 – INTERRUPT ENABLE | 41 |
| 8.27 | REGISTER 57 – FIFO WATERMARK INTERRUPT STATUS | 41 |
| 8.28 | REGISTER 58 – INTERRUPT STATUS | 42 |
| 8.29 | REGISTERS 59 TO 64 – ACCELEROMETER MEASUREMENTS..... | 42 |
| 8.30 | REGISTERS 65 AND 66 – TEMPERATURE MEASUREMENT | 43 |
| 8.31 | REGISTERS 67 TO 72 – GYROSCOPE MEASUREMENTS..... | 43 |
| 8.32 | REGISTERS 80 TO 82 – GYROSCOPE SELF-TEST REGISTERS..... | 44 |
| 8.33 | REGISTERS 83 TO 90 – ENGINEERING ID REGISTERS | 44 |
| 8.34 | REGISTER 96-97 – FIFO WATERMARK THRESHOLD IN NUMBER OF BYTES | 45 |
| 8.35 | REGISTER 104 – SIGNAL PATH RESET | 46 |
| 8.36 | REGISTER 105 – ACCELEROMETER INTELLIGENCE CONTROL | 46 |
| 8.37 | REGISTER 106 – USER CONTROL | 46 |

| | | |
|-----------|--|-----------|
| 8.38 | REGISTER 107 – POWER MANAGEMENT 1 | 47 |
| 8.39 | REGISTER 108 – POWER MANAGEMENT 2 | 47 |
| 8.40 | REGISTER 112 – I ² C INTERFACE | 48 |
| 8.41 | REGISTER 114 AND 115 – FIFO COUNT REGISTERS..... | 48 |
| 8.42 | REGISTER 116 – FIFO READ WRITE..... | 48 |
| 8.43 | REGISTER 117 – WHO AM I | 49 |
| 8.44 | REGISTERS 119, 120, 122, 123, 125, 126 ACCELEROMETER OFFSET REGISTERS..... | 49 |
| 9 | USE NOTES | 51 |
| 9.1 | ACCELEROMETER-ONLY LOW-NOISE MODE | 51 |
| 9.2 | ACCELEROMETER LOW-POWER MODE | 51 |
| 9.3 | SENSOR MODE CHANGE | 51 |
| 9.4 | TEMP SENSOR DURING GYROSCOPE STANDBY MODE | 51 |
| 9.5 | GYROSCOPE MODE CHANGE..... | 51 |
| 9.6 | POWER MANAGEMENT 1 REGISTER SETTING | 51 |
| 9.7 | UNLISTED REGISTER LOCATIONS | 51 |
| 9.8 | CLOCK TRANSITION WHEN GYROSCOPE IS TURNED OFF..... | 51 |
| 9.9 | SLEEP MODE | 52 |
| 9.10 | NO SPECIAL OPERATION NEEDED FOR FIFO READ IN LOW POWER MODE..... | 52 |
| 9.11 | GYROSCOPE STANDBY PROCEDURE | 52 |
| 10 | ASSEMBLY | 53 |
| 10.1 | ORIENTATION OF AXES | 53 |
| 10.2 | PACKAGE DIMENSIONS | 54 |
| 11 | PART NUMBER PACKAGE MARKING..... | 55 |
| 12 | REFERENCE..... | 56 |
| 13 | DOCUMENT INFORMATION | 57 |
| 13.1 | REVISION HISTORY..... | 57 |

InvenSense Confidential - Advanced Information for GHIC Only

Table of Figures

Figure 1. I²C Bus Timing Diagram14

Figure 2. SPI Bus Timing Diagram15

Figure 3. Pin out Diagram for MPU-6886 3.0 mm x 3.0 mm x 0.75 mm LGA17

Figure 4. MPU-6886 LGA Example Application Schematic18

Figure 5. MPU-6886 Block Diagram19

Figure 6. MPU-6886 Solution Using I²C Interface20

Figure 7. MPU-6886 Solution Using SPI Interface21

Figure 8. START and STOP Conditions25

Figure 9. Acknowledge on the I²C Bus26

Figure 10. Complete I²C Data Transfer26

Figure 11. Typical SPI Master/Slave Configuration28

Figure 12. Orientation of Axes of Sensitivity and Polarity of Rotation53

Figure 13. Package Diagram54

Figure 14. Part Number Package Marking55

InvenSense Confidential -
Advanced Information for GHIC Only

Table of Tables

| | |
|--|----|
| Table 1. Gyroscope Specifications | 9 |
| Table 2. Accelerometer Specifications | 10 |
| Table 3. D.C. Electrical Characteristics | 11 |
| Table 4. A.C. Electrical Characteristics | 13 |
| Table 5. Other Electrical Specifications | 13 |
| Table 6. I ² C Timing Characteristics | 14 |
| Table 7. SPI Timing Characteristics (10 MHz Operation) | 15 |
| Table 8. Absolute Maximum Ratings | 16 |
| Table 9. Signal Descriptions | 17 |
| Table 10. Bill of Materials | 18 |
| Table 11. Standard Power Modes for MPU-6886 | 23 |
| Table 12. Table of Interrupt Sources | 24 |
| Table 13. Serial Interface | 25 |
| Table 14. I ² C Terms | 27 |
| Table 15. MPU-6886 Register Map | 31 |
| Table 16. Configuration | 36 |
| Table 17. Accelerometer Data Rates and Bandwidths (Low-Noise Mode) | 38 |
| Table 18. Approximate Accelerometer Filter Bandwidths (Low-Power Mode) | 38 |
| Table 19. Example Gyroscope Configurations (Low-Power Mode) | 39 |
| Table 20. Package Dimensions | 54 |
| Table 21. Part Number Package Marking | 55 |

InvenSense Confidential -
Advanced Information for GHIC Only

1 INTRODUCTION

1.1 PURPOSE AND SCOPE

This document is a product specification, providing a description, specifications, and design related information on the MPU-6886™ MotionTracking device. The device is housed in a small 3x3x0.75mm 24-pin LGA package.

1.2 PRODUCT OVERVIEW

The MPU-6886 is a 6-axis MotionTracking device that combines a 3-axis gyroscope, 3-axis accelerometer, in a small 3 mm x 3 mm x 0.75 mm (24-pin LGA) package. It also features a 1 kB FIFO that can lower the traffic on the serial bus interface, and reduce power consumption by allowing the system processor to burst read sensor data and then go into a low-power mode. MPU-6886, with its 6-axis integration, enables manufacturers to eliminate the costly and complex selection, qualification, and system level integration of discrete devices, guaranteeing optimal motion performance for consumers.

The gyroscope has a programmable full-scale range of ± 250 dps, ± 500 dps, ± 1000 dps, and ± 2000 dps. The accelerometer has a user-programmable accelerometer full-scale range of $\pm 2g$, $\pm 4g$, $\pm 8g$, and $\pm 16g$. Factory-calibrated initial sensitivity of both sensors reduces production-line calibration requirements.

Other industry-leading features include on-chip 16-bit ADCs, programmable digital filters, an embedded temperature sensor, and programmable interrupts. The device features I²C and SPI serial interfaces, a VDD operating range of 1.71V to 3.45V, and a separate digital IO supply, VDDIO from 1.71V to 3.45V.

Communication with all registers of the device is performed using either I²C at 400 kHz or SPI at 10M Hz.

By leveraging its patented and volume-proven CMOS-MEMS fabrication platform, which integrates MEMS wafers with companion CMOS electronics through wafer-level bonding, InvenSense has driven the package size down to a footprint and thickness of 3 mm x 3 mm x 0.75 mm (24-pin LGA), to provide a very small yet high performance low cost package. The device provides high robustness by supporting 20,000g shock reliability.

1.3 APPLICATIONS

- Drones
- Wearable Sensors

2 FEATURES

2.1 GYROSCOPE FEATURES

The triple-axis MEMS gyroscope in the MPU-6886 includes a wide range of features:

- Digital-output X-, Y-, and Z-axis angular rate sensors (gyroscopes) with a user-programmable full-scale range of ± 250 dps, ± 500 dps, ± 1000 dps, and ± 2000 dps and integrated 16-bit ADCs
- Digitally-programmable low-pass filter
- Low-power gyroscope operation
- Factory calibrated sensitivity scale factor
- Self-test

2.2 ACCELEROMETER FEATURES

The triple-axis MEMS accelerometer in MPU-6886 includes a wide range of features:

- Digital-output X-, Y-, and Z-axis accelerometer with a programmable full scale range of $\pm 2g$, $\pm 4g$, $\pm 8g$ and $\pm 16g$ and integrated 16-bit ADCs
- User-programmable interrupts
- Wake-on-motion interrupt for low power operation of applications processor
- Self-test

2.3 ADDITIONAL FEATURES

The MPU-6886 includes the following additional features:

- Smallest and thinnest LGA package: 3 mm x 3 mm x 0.75 mm (24-pin LGA)
- Minimal cross-axis sensitivity between the accelerometer and gyroscope axes
- 1 kB FIFO buffer enables the applications processor to read the data in bursts
- Digital-output temperature sensor
- User-programmable digital filters for gyroscope, accelerometer, and temp sensor
- 20,000g shock tolerant
- 400 kHz Fast Mode I²C for communicating with all registers
- 10 MHz SPI serial interface for communicating with all registers
- MEMS structure hermetically sealed and bonded at wafer level
- RoHS and Green compliant

3 ELECTRICAL CHARACTERISTICS

3.1 GYROSCOPE SPECIFICATIONS

Typical Operating Circuit of section 4.2, VDD = 1.8V, VDDIO = 1.8V, T_A=25°C, unless otherwise noted.

| PARAMETER | CONDITIONS | MIN | TYP | MAX | UNITS | NOTES |
|---|---|-------|-------|--------|-----------|-------|
| GYROSCOPE SENSITIVITY | | | | | | |
| Full-Scale Range | FS_SEL=0 | | ±250 | | dps | 3 |
| | FS_SEL=1 | | ±500 | | dps | 3 |
| | FS_SEL=2 | | ±1000 | | dps | 3 |
| | FS_SEL=3 | | ±2000 | | dps | 3 |
| Gyroscope ADC Word Length | | | 16 | | bits | 3 |
| Sensitivity Scale Factor | FS_SEL=0 | | 131 | | LSB/(dps) | 3 |
| | FS_SEL=1 | | 65.5 | | LSB/(dps) | 3 |
| | FS_SEL=2 | | 32.8 | | LSB/(dps) | 3 |
| | FS_SEL=3 | | 16.4 | | LSB/(dps) | 3 |
| Sensitivity Scale Factor Initial Tolerance | 25°C | -1 | | +1 | % | 1 |
| Sensitivity Scale Factor Variation Over Temperature | -40°C to +85°C | -2.5 | | +2.5 | % | 1 |
| Nonlinearity | Best fit straight line; 25°C | -0.2 | ±0.1 | +0.2 | % | 1 |
| Cross-Axis Sensitivity | | -4.5 | ±1 | +4.5 | % | 1 |
| ZERO-RATE OUTPUT (ZRO) | | | | | | |
| Initial ZRO Tolerance | 25°C | -10 | ±1 | +10 | dps | 1 |
| ZRO Variation vs. Temperature | -40°C to +85°C | -0.05 | ±0.01 | +0.05 | dps/°C | 1 |
| OTHER PARAMETERS | | | | | | |
| Rate Noise Spectral Density | @ 10 Hz | | 0.004 | 0.01 | dps/√Hz | 1, 4 |
| Total RMS Noise | Bandwidth = 100 Hz | | 0.04 | 0.1 | dps-rms | 1, 4 |
| Gyroscope Mechanical Frequencies | | 25 | 27 | 29 | KHz | 2 |
| Low Pass Filter Response | Programmable Range | 5 | | 250 | Hz | 3 |
| Gyroscope Start-Up Time | Time from gyro enable to gyro drive ready | | 35 | 100 | ms | 1 |
| Output Data Rate | Low-Noise mode | 3.91 | | 8000 | Hz | 3 |
| | Low Power Mode | 3.91 | | 333.33 | Hz | 3 |

Table 1. Gyroscope Specifications

NOTES:

1. Derived from validation or characterization of parts, not guaranteed in production.
2. Tested in production.
3. Guaranteed by design.
4. Noise specifications shown are for low-noise mode.

3.2 ACCELEROMETER SPECIFICATIONS

Typical Operating Circuit of section 4.2, VDD = 1.8V, VDDIO = 1.8V, T_A=25°C, unless otherwise noted.

| PARAMETER | CONDITIONS | MIN | TYP | MAX | UNITS | NOTES | |
|--|-----------------------------------|--------------|--------|------|--------|-------|---|
| ACCELEROMETER SENSITIVITY | | | | | | | |
| Full-Scale Range | AFS_SEL=0 | | ±2 | | g | 2 | |
| | AFS_SEL=1 | | ±4 | | g | 2 | |
| | AFS_SEL=2 | | ±8 | | g | 2 | |
| | AFS_SEL=3 | | ±16 | | g | 2 | |
| ADC Word Length | Output in two's complement format | | 16 | | bits | 2 | |
| Sensitivity Scale Factor | AFS_SEL=0 | | 16,384 | | LSB/g | 2 | |
| | AFS_SEL=1 | | 8,192 | | LSB/g | 2 | |
| | AFS_SEL=2 | | 4,096 | | LSB/g | 2 | |
| | AFS_SEL=3 | | 2,048 | | LSB/g | 2 | |
| Sensitivity Scale Factor Initial Tolerance | Component-level | -1 | | +1 | % | 1 | |
| Sensitivity Change vs. Temperature | -40°C to +85°C | -2 | | +2 | % | 1 | |
| Nonlinearity | Best Fit Straight Line | 1 | ±0.3 | +1 | % | 1 | |
| Cross-Axis Sensitivity | | -4.5 | ±1 | +4.5 | % | 1 | |
| ZERO-G OUTPUT | | | | | | | |
| Initial Tolerance | Component-level, all axes | | -65 | ±25 | +65 | mg | 1 |
| | Board-level, all axes | | -100 | ±40 | +100 | mg | 1 |
| Zero-G Level Change vs. Temperature | -40°C to +85°C | X and Y axes | -0.75 | ±0.5 | +0.75 | mg/°C | 1 |
| | | Z axis | -1.2 | ±1 | +1.2 | mg/°C | 1 |
| OTHER PARAMETERS | | | | | | | |
| Power Spectral Density | @ 10 Hz | | 100 | 170 | µg/√Hz | 1, 3 | |
| RMS Noise | Bandwidth = 100 Hz | | 1.0 | 1.7 | mg-rms | 1, 3 | |
| Low-Pass Filter Response | Programmable Range | 5 | | 218 | Hz | 2 | |
| Accelerometer Startup Time | From sleep mode to valid data | | 10 | 20 | ms | 2 | |
| Output Data Rate | Low-Noise mode | 3.91 | | 4000 | Hz | 2 | |
| | Low Power Mode | 3.91 | | 500 | Hz | | |

Table 2. Accelerometer Specifications

NOTES:

1. Derived from validation or characterization of parts, not guaranteed in production.
2. Guaranteed by design.
3. Noise specifications shown are for low-noise mode.

3.3 ELECTRICAL SPECIFICATIONS

D.C. Electrical Characteristics

Typical Operating Circuit of section 4.2, VDD = 1.8V, VDDIO = 1.8V, T_A=25°C, unless otherwise noted.

| PARAMETER | CONDITIONS | MIN | TYP | MAX | UNITS | NOTES |
|--|--|------|------|------|-------|-------|
| SUPPLY VOLTAGES | | | | | | |
| VDD | | 1.71 | 1.8 | 3.45 | V | 1 |
| VDDIO | | 1.71 | 1.8 | 3.45 | V | 1 |
| SUPPLY CURRENTS | | | | | | |
| Low-Noise Mode | 6-Axis Gyroscope + Accelerometer | | 2.79 | 3.0 | mA | 1 |
| | 3-Axis Accelerometer | | 321 | 370 | μA | 1 |
| | 3-Axis Gyroscope | | 2.55 | 2.8 | mA | 1 |
| Accelerometer Low -Power Mode (Gyroscope disabled) | 100Hz ODR, 1x averaging | | 40 | 45 | μA | 1 |
| Gyroscope Low-Power Mode (Accelerometer disabled) | 100Hz ODR, 1x averaging | | 1.08 | 1.2 | mA | 1 |
| 6-Axis Low-Power Mode (Gyroscope Low-Power Mode; Accelerometer Low-Noise Mode) | 100Hz ODR, 1x averaging | | 1.33 | 1.45 | mA | 1 |
| Full-Chip Sleep Mode | At 25°C | | 6 | 10 | μA | 1 |
| TEMPERATURE RANGE | | | | | | |
| Specified Temperature Range | Performance parameters are not applicable beyond Specified Temperature Range | -40 | | +85 | °C | 1 |

Table 3. D.C. Electrical Characteristics

NOTES:

1. Target spec. Subject to update.
2. Derived from validation or characterization of parts, not guaranteed in production.

A.C. Electrical Characteristics

Typical Operating Circuit of section 4.2, VDD = 1.8V, VDDIO = 1.8V, T_A=25°C, unless otherwise noted.

| PARAMETER | CONDITIONS | MIN | TYP | MAX | UNITS | NOTES |
|--|--|----------------------|--------------------|--------------|--------------|-------|
| SUPPLIES | | | | | | |
| Supply Ramp Time | Monotonic ramp. Ramp rate is 10% to 90% of the final value | 0.01 | | 3 | ms | 1 |
| Power Supply Noise | | | 10 | | mV peak-peak | 1 |
| TEMPERATURE SENSOR | | | | | | |
| Operating Range | Ambient | -40 | | 85 | °C | 1 |
| 25°C Output | | | 0 | | LSB | 3 |
| ADC Resolution | | | 16 | | bits | 2 |
| ODR | Without Filter | | 8000 | | Hz | 2 |
| | With Filter | 3.91 | | 1000 | Hz | 2 |
| Room Temperature Offset | 25°C | -15 | | 15 | °C | 3 |
| Stabilization Time | | | | 14000 | µs | 2 |
| Sensitivity | Untrimmed | | 326.8 | | LSB/°C | 1 |
| Sensitivity Error | | -2.5 | | +2.5 | % | 1 |
| I²C ADDRESS | | | | | | |
| I ² C ADDRESS | SA0 = 0 SA0 = 1 | | 1101000 1101001 | | | |
| DIGITAL INPUTS (FSYNC, SA0, SPC, SDI, CS) | | | | | | |
| V _{IH} , High Level Input Voltage | | 0.7*VDDIO | | | V | 1 |
| V _{IL} , Low Level Input Voltage | | | | 0.3*VDDIO | V | |
| C _I , Input Capacitance | | | < 10 | | pF | |
| DIGITAL OUTPUT (SDO, INT, DRDY) | | | | | | |
| V _{OH} , High Level Output Voltage | R _{LOAD} =1 MΩ; | 0.9*VDDIO | | | V | 1 |
| V _{OL} , LOW-Level Output Voltage | R _{LOAD} =1 MΩ; | | | 0.1*VDDIO | V | |
| V _{OL,INT} , INT Low-Level Output Voltage | OPEN=1, 0.3 mA sink Current | | | 0.1 | V | |
| Output Leakage Current | OPEN=1 | | 100 | | nA | |
| t _{INT} , INT Pulse Width | LATCH_INT_EN=0 | | 50 | | µs | |
| I²C I/O (SCL, SDA) | | | | | | |
| V _{IL} , LOW Level Input Voltage | | -0.5V | | 0.3*VDDIO | V | 1 |
| V _{IH} , HIGH-Level Input Voltage | | 0.7*VDDIO | | VDDIO + 0.5V | V | |
| V _{hys} , Hysteresis | | | 0.1*VDDIO | | V | |
| V _{OL} , LOW-Level Output Voltage | 3 mA sink current | 0 | | 0.4 | V | |
| I _{OL} , LOW-Level Output Current | V _{OL} =0.4V V _{OL} =0.6V | | 3 6 | | mA mA | |
| Output Leakage Current | | | 100 | | nA | |
| t _{of} , Output Fall Time from V _{IHmax} to V _{ILmax} | C _b bus capacitance in pf | 20+0.1C _b | | 300 | ns | |
| INTERNAL CLOCK SOURCE | | | | | | |
| Sample Rate | FCHOICE_B=1,2,3; SMPLRT_DIV=0 | | 32 | | kHz | 2 |
| | FCHOICE_B=0; DLPCFG=0 or 7 SMPLRT_DIV=0 | | 8 | | kHz | 2 |

| PARAMETER | CONDITIONS | MIN | TYP | MAX | UNITS | NOTES |
|--------------------------------------|--|-----|-----|-----|-------|-------|
| | FCHOICE_B=0; DLPFCFG=1,2,3,4,5,6; SMPLRT_DIV=0 | | 1 | | kHz | 2 |
| Clock Frequency Initial Tolerance | CLK_SEL=0, 6 or gyro inactive; 25°C | -3 | | +3 | % | 1 |
| | CLK_SEL=1,2,3,4,5 and gyro active; 25°C | -1 | | +1 | % | 1 |
| Frequency Variation over Temperature | CLK_SEL=0,6 or gyro inactive. (-40°C to +85°C) | | | ±2 | % | 1 |
| | CLK_SEL=1,2,3,4,5 and gyro active | | | ±2 | % | 1 |

Table 4. A.C. Electrical Characteristics

NOTES:

1. Derived from validation or characterization of parts, not guaranteed in production.
2. Guaranteed by design.
3. Production tested.

Other Electrical Specifications

Typical Operating Circuit of section 4.2, VDD = 1.8V, VDDIO = 1.8V, T_A=25°C, unless otherwise noted.

| PARAMETER | CONDITIONS | MIN | TYP | MAX | UNITS | NOTES |
|---|------------------------------|-----|-------------|-----|-------|---------|
| SERIAL INTERFACE | | | | | | |
| SPI Operating Frequency, All Registers Read/Write | Low Speed Characterization | 100 | 100 ±10% | | kHz | 1,3 |
| | High Speed Characterization | 0.2 | 1 | 10 | MHz | 1, 2, 3 |
| SPI Modes | | | 0 and 3 | | | |
| I ² C Operating Frequency | All registers, Fast-mode | 100 | | 400 | kHz | 1 |
| | All registers, Standard-mode | | | 100 | kHz | 1 |

Table 5. Other Electrical Specifications

NOTES:

1. Derived from validation or characterization of parts, not guaranteed in production.
2. SPI clock duty cycle between 45% and 55% should be used for 10 MHz operation.
3. Minimum SPI/I²C clock rate is dependent on ODR. If ODR is below 4 kHz, minimum clock rate is 100 kHz. If ODR is greater than 4 kHz, minimum clock rate is 200 kHz.

3.4 I²C TIMING CHARACTERIZATION

Typical Operating Circuit of section 4.2, VDD = 1.8V, VDDIO = 1.8V, T_A=25°C, unless otherwise noted.

| PARAMETERS | CONDITIONS | MIN | TYPICAL | MAX | UNITS | NOTES |
|---|---|----------------------|---------|-----|-------|-------|
| I²C TIMING | | | | | | |
| I²C FAST-MODE | | | | | | |
| f _{SCL} , SCL Clock Frequency | | 100 | | 400 | kHz | 1 |
| t _{HD,STA} , (Repeated) START Condition Hold Time | | 0.6 | | | μs | 1 |
| t _{LOW} , SCL Low Period | | 1.3 | | | μs | 1 |
| t _{HIGH} , SCL High Period | | 0.6 | | | μs | 1 |
| t _{SU,STA} , Repeated START Condition Setup Time | | 0.6 | | | μs | 1 |
| t _{HD,DAT} , SDA Data Hold Time | | 0 | | | μs | 1 |
| t _{SU,DAT} , SDA Data Setup Time | | 100 | | | ns | 1 |
| t _r , SDA and SCL Rise Time | C _b bus cap. from 10 to 400 pF | 20+0.1C _b | | 300 | ns | 1 |
| t _f , SDA and SCL Fall Time | C _b bus cap. from 10 to 400 pF | 20+0.1C _b | | 300 | ns | 1 |
| t _{SU,STO} , STOP Condition Setup Time | | 0.6 | | | μs | 1 |
| t _{BUF} , Bus Free Time Between STOP and START Condition | | 1.3 | | | μs | 1 |
| C _b , Capacitive Load for each Bus Line | | | < 400 | | pF | 1 |
| t _{VD,DAT} , Data Valid Time | | | | 0.9 | μs | 1 |
| t _{VD,ACK} , Data Valid Acknowledge Time | | | | 0.9 | μs | 1 |

Table 6. I²C Timing Characteristics

NOTE:

- Based on characterization of 5 parts over temperature and voltage as mounted on evaluation board or in sockets

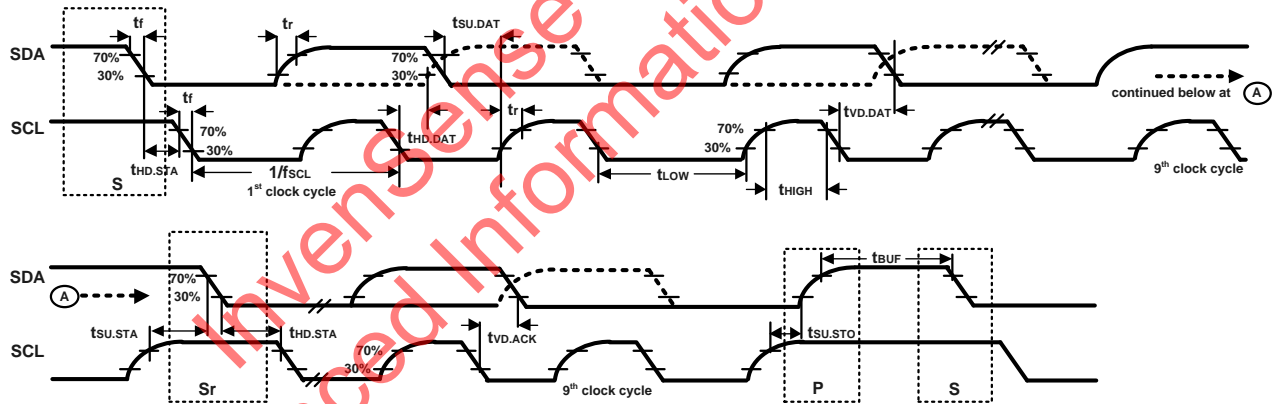


Figure 1. I²C Bus Timing Diagram

3.5 SPI TIMING CHARACTERIZATION

Typical Operating Circuit of section 4.2, VDD = 1.8V, VDDIO = 1.8V, T_A=25°C, unless otherwise noted.

| PARAMETER | CONDITIONS | MIN | TYP | MAX | UNITS | NOTES |
|--|---------------------------|-----|-----|-----|-------|-------|
| SPI TIMING | | | | | | |
| f _{SPC} , SPC Clock Frequency | | | | 10 | MHz | 1 |
| t _{LOW} , SPC Low Period | | 45 | | | ns | 1 |
| t _{HIGH} , SPC High Period | | 45 | | | ns | 1 |
| t _{SU,CS} , CS Setup Time | | 2 | | | ns | 1 |
| t _{HD,CS} , CS Hold Time | | 63 | | | ns | 1 |
| t _{SU,SDI} , SDI Setup Time | | 3 | | | ns | 1 |
| t _{HD,SDI} , SDI Hold Time | | 7 | | | ns | 1 |
| t _{VD,SDO} , SDO Valid Time | C _{load} = 20 pF | | | 40 | ns | 1 |
| t _{DIS,SDO} , SDO Output Disable Time | | | | 20 | ns | 1 |

Table 7. SPI Timing Characteristics (10 MHz Operation)

Notes:

1. Based on characterization of 5 parts over temperature and voltage as mounted on evaluation board or in sockets

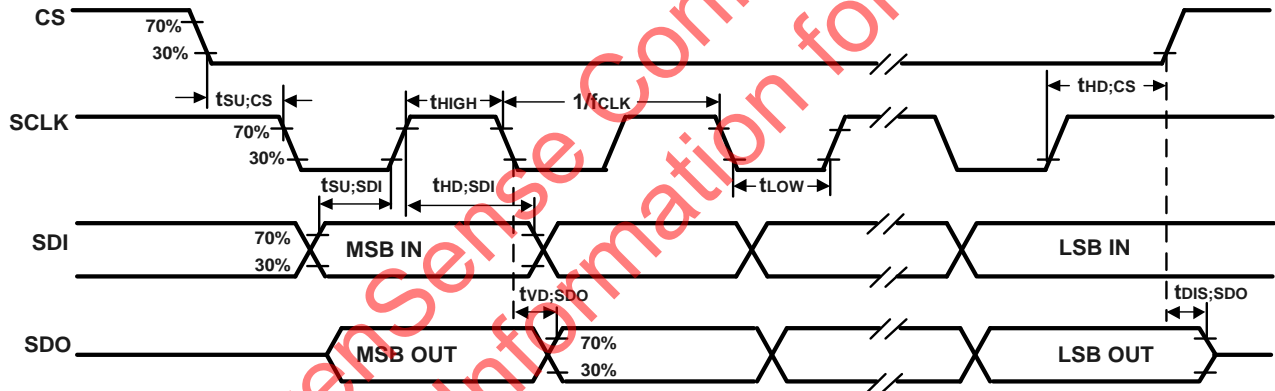


Figure 2. SPI Bus Timing Diagram

3.6 ABSOLUTE MAXIMUM RATINGS

Stress above those listed as “Absolute Maximum Ratings” may cause permanent damage to the device. These are stress ratings only and functional operation of the device at these conditions is not implied. Exposure to the absolute maximum ratings conditions for extended periods may affect device reliability.

| PARAMETER | RATING |
|--|-------------------------------------|
| Supply Voltage, VDD | -0.5V to +4V |
| Supply Voltage, VDDIO | -0.5V to +4V |
| REGOUT | -0.5V to 2V |
| Input Voltage Level (SA0, FSYNC, SCL, SDA) | -0.5V to VDDIO + 0.5V |
| Acceleration (Any Axis, unpowered) | 20,000g for 0.2ms |
| Operating Temperature Range | -40°C to +85°C |
| Storage Temperature Range | -40°C to +125°C |
| Electrostatic Discharge (ESD) Protection | 2kV (HBM); 250V (MM) |
| Latch-up | JEDEC Class II (2), 125°C ±100mA |

Table 8. Absolute Maximum Ratings

InvenSense Confidential & Proprietary
Advanced Information for GHIO Only

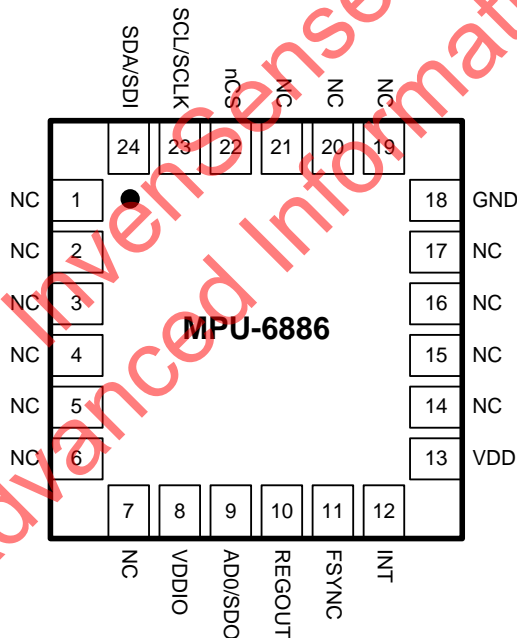
4 APPLICATIONS INFORMATION

4.1 PIN OUT DIAGRAM AND SIGNAL DESCRIPTION

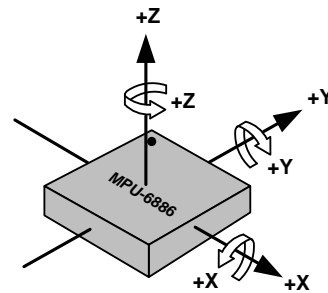
| PIN NUMBER | PIN NAME |
|------------------------------|----------------|
| 23 | SCL / SCLK |
| 24 | SDA / SDI |
| 9 | AD0 / SDO |
| 11 | FSYNC / NC |
| 19 | RESV (INT/TP0) |
| 8 | VDDIO |
| 12 | INT1/DRDY/TP2 |
| 22 | nCS |
| 20 | RESV (VPP) |
| 10 | REGOUT |
| 13 | VDD |
| 18 | GND |
| 1,2,3,4,5,6,7,14,15,16,17,21 | NC |

Table 9. Signal Descriptions

NOTE: Power up with SCL/SPC and CS pins held low is not a supported use case. In case this power up approach is used, software reset is required using the PWR_MGMT_1 register, prior to initialization.



Top View – LGA Package
24-pin, 3mm x 3mm x 0.75mm



Orientation of Axes of Sensitivity and
Polarity of Rotation

Figure 3. Pin out Diagram for MPU-6886 3.0 mm x 3.0 mm x 0.75 mm LGA

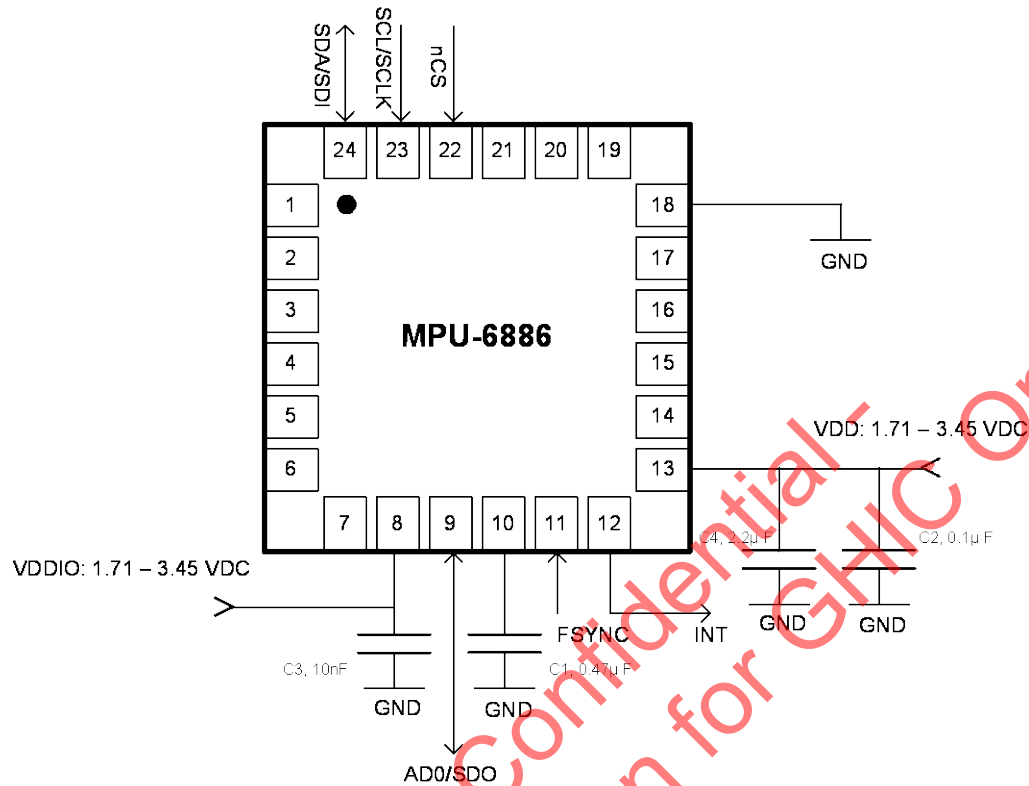


Figure 4. MPU-6886 LGA Example Application Schematic

4.2 TYPICAL OPERATING CIRCUIT

I²C lines are open drain and pullup resistors (e.g. 10kΩ) are required.

4.3 BILL OF MATERIALS FOR EXTERNAL COMPONENTS

| COMPONENT | LABEL | SPECIFICATION | QUANTITY |
|------------------------|-------|------------------|----------|
| REGOUT Capacitor | C1 | X7R, 0.1 µF ±10% | 1 |
| VDD Bypass Capacitors | C2 | X7R, 0.1 µF ±10% | 1 |
| | C4 | X7R, 2.2 µF ±10% | 1 |
| VDDIO Bypass Capacitor | C3 | X7R, 10 nF ±10% | 1 |

Table 10. Bill of Materials

4.4 EXPOSED DIE PAD PRECAUTIONS

InvenSense products have very low active and standby current consumption. The exposed die pad is not required for heat sinking, and should not be soldered to the PCB. Failure to adhere to this rule can induce performance changes due to package thermo-mechanical stress. There is no electrical connection between the pad and the CMOS.

4.5 BLOCK DIAGRAM

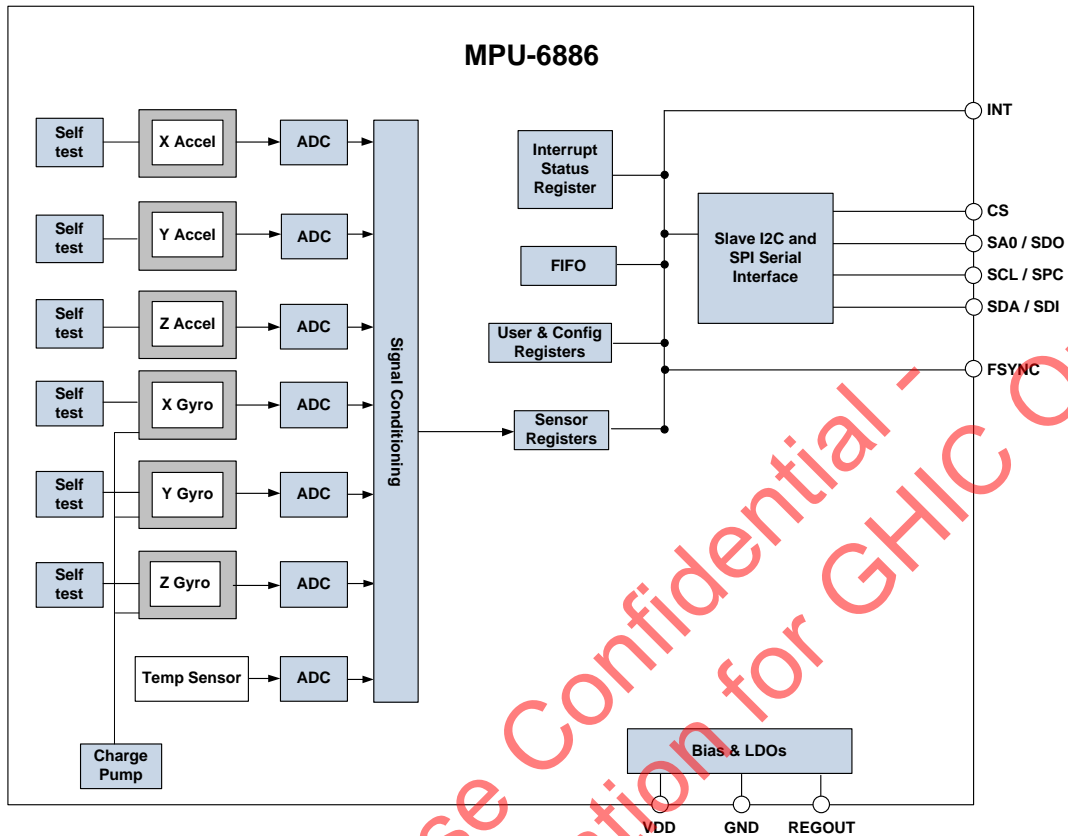


Figure 5. MPU-6886 Block Diagram

4.6 OVERVIEW

The MPU-6886 is comprised of the following key blocks and functions:

- Three-axis MEMS rate gyroscope sensor with 16-bit ADCs and signal conditioning
- Three-axis MEMS accelerometer sensor with 16-bit ADCs and signal conditioning
- I²C and SPI serial communications interface
- Self-Test
- Clocking
- Sensor Data Registers
- FIFO
- Interrupts
- Digital-Output Temperature Sensor
- Bias and LDOs
- Charge Pump
- Standard Power Modes

4.7 THREE-AXIS MEMS GYROSCOPE WITH 16-BIT ADCS AND SIGNAL CONDITIONING

The MPU-6886 consists of three independent vibratory MEMS rate gyroscopes, which detect rotation about the X-, Y-, and Z- Axes. When the gyros are rotated about any of the sense axes, the Coriolis Effect causes a vibration that is detected by a capacitive pickoff. The resulting signal is amplified, demodulated, and filtered to produce a voltage that is proportional to the angular rate. This voltage is digitized using individual on-chip 16-bit Analog-to-Digital Converters (ADCs) to sample each axis. The full-scale range of the gyro sensors may be digitally programmed to ± 250 , ± 500 , ± 1000 , or ± 2000 degrees per second (dps). The ADC sample rate is programmable from 8,000 samples per second, down to 3.9 samples per second, and user-selectable low-pass filters enable a wide range of cut-off frequencies.

4.8 THREE-AXIS MEMS ACCELEROMETER WITH 16-BIT ADCS AND SIGNAL CONDITIONING

The MPU-6886's 3-Axis accelerometer uses separate proof masses for each axis. Acceleration along a particular axis induces displacement on the corresponding proof mass, and capacitive sensors detect the displacement differentially. The MPU-6886's architecture reduces the accelerometers' susceptibility to fabrication variations as well as to thermal drift. When the device is placed on a flat surface, it will measure 0g on the X- and Y-axes and +1g on the Z-axis. The accelerometers' scale factor is calibrated at the factory and is nominally independent of supply voltage. Each sensor has a dedicated sigma-delta ADC for providing digital outputs. The full scale range of the digital output can be adjusted to $\pm 2g$, $\pm 4g$, $\pm 8g$, or $\pm 16g$.

4.9 I2C AND SPI SERIAL COMMUNICATIONS INTERFACES

The MPU-6886 communicates to a system processor using either a SPI or an I²C serial interface. The MPU-6886 always acts as a slave when communicating to the system processor. The LSB of the I²C slave address is set by pin 9 (SA0).

MPU-6886 Solution Using I²C Interface

In Figure 6, the system processor is an I²C master to the MPU-6886.

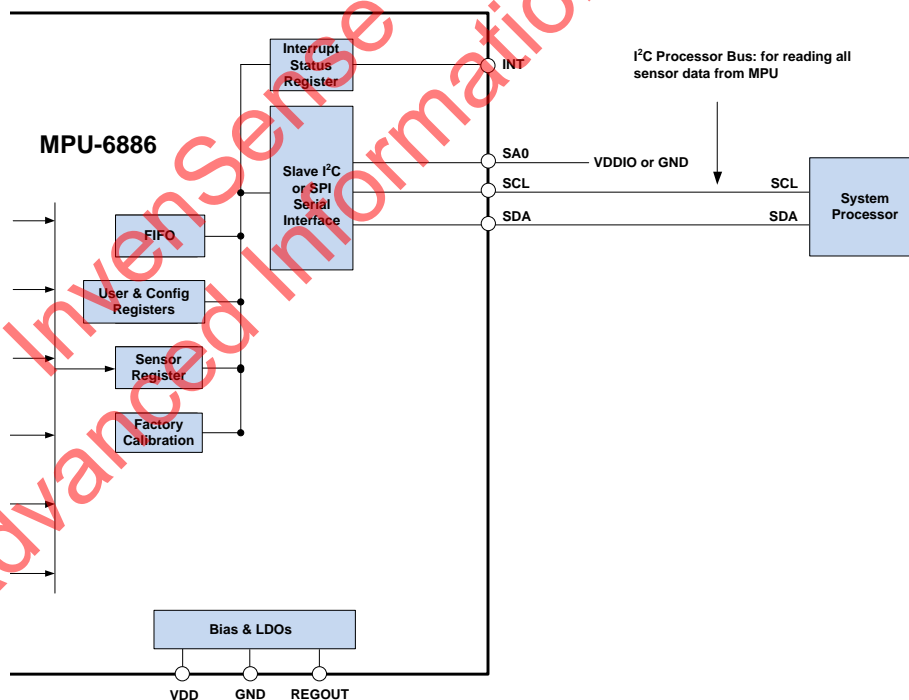


Figure 6. MPU-6886 Solution Using I²C Interface

MPU-6886 Solution Using SPI Interface

In Figure 7, the system processor is an SPI master to the MPU-6886. Pins 23, 24, 9, and 22 are used to support the SPC, SDI, SDO, and CS signals for SPI communications.

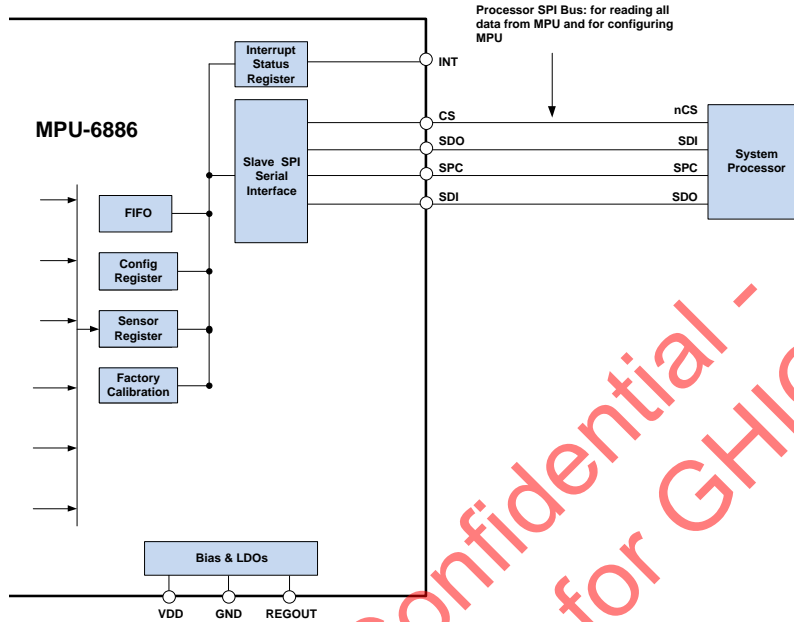


Figure 7. MPU-6886 Solution Using SPI Interface

4.10 SELF-TEST

Self-test allows for the testing of the mechanical and electrical portions of the sensors. The self-test for each measurement axis can be activated by means of the gyroscope and accelerometer self-test registers (registers 27 and 28).

When the self-test is activated, the electronics cause the sensors to be actuated and produce an output signal. The output signal is used to observe the self-test response.

The self-test response is defined as follows:

$$\text{SELF-TEST RESPONSE} = \text{SENSOR OUTPUT WITH SELF-TEST ENABLED} - \text{SENSOR OUTPUT WITH SELF-TEST DISABLED}$$

The self-test response for each gyroscope axis is defined in the gyroscope specification table, while that for each accelerometer axis is defined in the accelerometer specification table.

When the value of the self-test response is within the specified min/max limits of the product specification, the part has passed self-test. When the self-test response exceeds the min/max values, the part is deemed to have failed self-test.

4.11 CLOCKING

The MPU-6886 has a flexible clocking scheme, allowing a variety of internal clock sources to be used for the internal synchronous circuitry. This synchronous circuitry includes the signal conditioning and ADCs, and various control circuits and registers. An on-chip PLL provides flexibility in the allowable inputs for generating this clock.

Allowable internal sources for generating the internal clock are:

- a) An internal relaxation oscillator
- b) Auto-select between internal relaxation oscillator and gyroscope MEMS oscillator to use the best available source

The only setting supporting specified performance in all modes is option b). It is recommended that option b) be used.

4.12 SENSOR DATA REGISTERS

The sensor data registers contain the latest gyroscope, accelerometer, and temperature measurement data. They are read-only registers, and are accessed via the serial interface. Data from these registers may be read anytime.

4.13 FIFO

The MPU-6886 contains a 1 kB FIFO register that is accessible via the Serial Interface. The FIFO configuration register determines which data is written into the FIFO. Possible choices include gyro data, accelerometer data, temperature readings, and FSYNC input. A FIFO counter keeps track of how many bytes of valid data are contained in the FIFO. The FIFO register supports burst reads. The interrupt function may be used to determine when new data is available.

The MPU-6886 allows FIFO read in low-power accelerometer mode.

4.14 INTERRUPTS

Interrupt functionality is configured via the Interrupt Configuration register. Items that are configurable include the INT and DRDY pins configuration, the interrupt latching and clearing method, and triggers for the interrupt. Items that can trigger an interrupt are (1) Clock generator locked to new reference oscillator (used when switching clock sources); (2) new data is available to be read (from the FIFO and Data registers); (3) accelerometer event interrupts; (4) FIFO overflow. The interrupt status can be read from the Interrupt Status register.

4.15 DIGITAL-OUTPUT TEMPERATURE SENSOR

An on-chip temperature sensor and ADC are used to measure the MPU-6886 die temperature. The readings from the ADC can be read from the FIFO or the Sensor Data registers.

4.16 BIAS AND LDOS

The bias and LDO section generates the internal supply and the reference voltages and currents required by the MPU-6886. Its two inputs are an unregulated VDD and a VDDIO logic reference supply voltage. The LDO output is bypassed by a capacitor at REGOUT. For further details on the capacitor, please refer to the Bill of Materials for External Components.

4.17 CHARGE PUMP

An on-chip charge pump generates the high voltage required for the MEMS oscillator.

4.18 STANDARD POWER MODES

The following table lists the user-accessible power modes for MPU-6886.

| MODE | NAME | GYRO | ACCEL |
|------|------------------------------|-------------|-------------|
| 1 | Sleep Mode | Off | Off |
| 2 | Standby Mode | Drive On | Off |
| 3 | Accelerometer Low-Power Mode | Off | Duty-Cycled |
| 4 | Accelerometer Low-Noise Mode | Off | On |
| 5 | Gyroscope Low-Power Mode | Duty-Cycled | Off |
| 6 | Gyroscope Low-Noise Mode | On | Off |
| 7 | 6-Axis Low-Noise Mode | On | On |
| 8 | 6-Axis Low-Power Mode | Duty-Cycled | On |

Table 11. Standard Power Modes for MPU-6886

NOTES:

1. Power consumption for individual modes can be found in D.C. Electrical Characteristics.

InvenSense Confidential -
Advanced Information for GHIC Only

5 PROGRAMMABLE INTERRUPTS

The MPU-6886 has a programmable interrupt system which can generate an interrupt signal on the INT and DRDY pins. Status flags indicate the source of an interrupt. Interrupt sources may be enabled and disabled individually.

| INTERRUPT NAME | MODULE |
|------------------|------------------|
| Motion Detection | Motion |
| FIFO Overflow | FIFO |
| Data Ready | Sensor Registers |

Table 12. Table of Interrupt Sources

For information regarding the interrupt enable/disable registers and flag registers, please refer to sections 11 and 12 of this document. Some interrupt sources are explained below.

5.1 WAKE-ON-MOTION INTERRUPT

The MPU-6886 provides motion detection capability. A qualifying motion sample is one where the high passed sample from any axis has an absolute value exceeding a user-programmable threshold. The following steps explain how to configure the Wake-on-Motion Interrupt.

Step 1: Ensure that Accelerometer is running

- In PWR_MGMT_1 register (0x6B) set CYCLE = 0, SLEEP = 0, and GYRO_STANDBY = 0
- In PWR_MGMT_2 register (0x6C) set STBY_XA = STBY_YA = STBY_ZA = 0, and STBY_XG = STBY_YG = STBY_ZG = 1

Step 2: Set Accelerometer LPF bandwidth to 218.1 Hz

- In ACEEL_CONFIG2 register (0x1D) set ACCEL_FCHOICE_B = 0 and A_DLPF_CFG[2:0] = 1 (b001)

Step 3: Enable Motion Interrupt

- In INT_ENABLE register (0x38) set WOM_INT_EN = 111 to enable motion interrupt

Step 4: Set Motion Threshold

- Set the motion threshold in ACCEL_WOM_THR register (0x1F)

Step 5: Enable Accelerometer Hardware Intelligence

- In ACCEL_INTEL_CTRL register (0x69) set ACCEL_INTEL_EN = ACCEL_INTEL_MODE = 1; Ensure that bit 0 is set to 0

Step 7: Set Frequency of Wake-Up

- In SMPLRT_DIV register (0x19) set SMPLRT_DIV[7:0] = 3.9 Hz – 500 Hz

Step 8: Enable Cycle Mode (Accelerometer Low-Power Mode)

- In PWR_MGMT_1 register (0x6B) set CYCLE = 1

6 DIGITAL INTERFACE

6.1 I²C AND SPI SERIAL INTERFACES

The internal registers and memory of the MPU-6886 can be accessed using either I²C at 400 kHz or SPI at 10 MHz. SPI operates in four-wire mode.

| PIN NUMBER | PIN NAME | PIN DESCRIPTION |
|------------|-----------|--|
| 23 | SCL / SPC | I ² C serial clock (SCL); SPI serial clock (SPC) |
| 24 | SDA / SDI | I ² C serial data (SDA); SPI serial data input (SDI) |
| 9 | SA0 / SDO | I ² C Slave Address LSB (SA0); SPI serial data output (SDO) |
| 22 | CS | Chip select (0 = SPI mode) |

Table 13. Serial Interface

6.2 I²C INTERFACE

I²C is a two-wire interface comprised of the signals serial data (SDA) and serial clock (SCL). In general, the lines are open-drain and bi-directional. In a generalized I²C interface implementation, attached devices can be a master or a slave. The master device puts the slave address on the bus, and the slave device with the matching address acknowledges the master.

The MPU-6886 always operates as a slave device when communicating to the system processor, which thus acts as the master. SDA and SCL lines typically need pull-up resistors to VDD. The maximum bus speed is 400 kHz.

The slave address of the MPU-6886 is b110100X which is 7 bits long. The LSB bit of the 7-bit address is determined by the logic level on pin SA0. This allows two MPU-6886s to be connected to the same I²C bus. When used in this configuration, the address of one of the devices should be b1101000 (pin SA0 is logic low) and the address of the other should be b1101001 (pin SA0 is logic high).

6.3 I²C COMMUNICATIONS PROTOCOL

START (S) and STOP (P) Conditions

Communication on the I²C bus starts when the master puts the START condition (S) on the bus, which is defined as a HIGH-to-LOW transition of the SDA line while SCL line is HIGH (see figure below). The bus is considered to be busy until the master puts a STOP condition (P) on the bus, which is defined as a LOW to HIGH transition on the SDA line while SCL is HIGH (see figure below).

Additionally, the bus remains busy if a repeated START (Sr) is generated instead of a STOP condition.

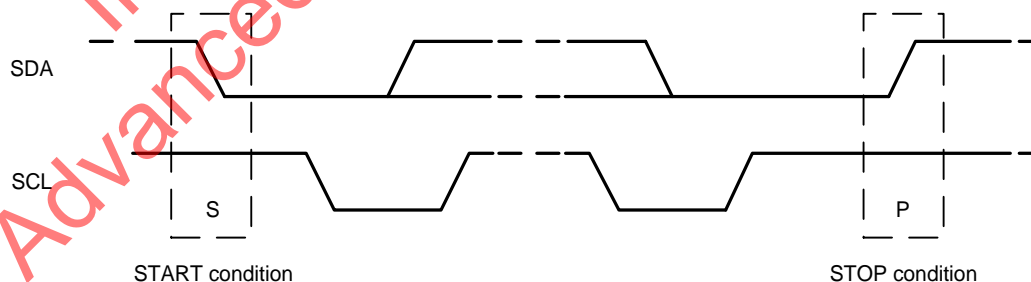


Figure 8. START and STOP Conditions

Data Format / Acknowledge

I²C data bytes are defined to be 8-bits long. There is no restriction to the number of bytes transmitted per data transfer. Each byte transferred must be followed by an acknowledge (ACK) signal. The clock for the acknowledge signal is generated by the master, while the receiver generates the actual acknowledge signal by pulling down SDA and holding it low during the HIGH portion of the acknowledge clock pulse.

If a slave is busy and cannot transmit or receive another byte of data until some other task has been performed, it can hold SCL LOW, thus forcing the master into a wait state. Normal data transfer resumes when the slave is ready, and releases the clock line (refer to the following figure).

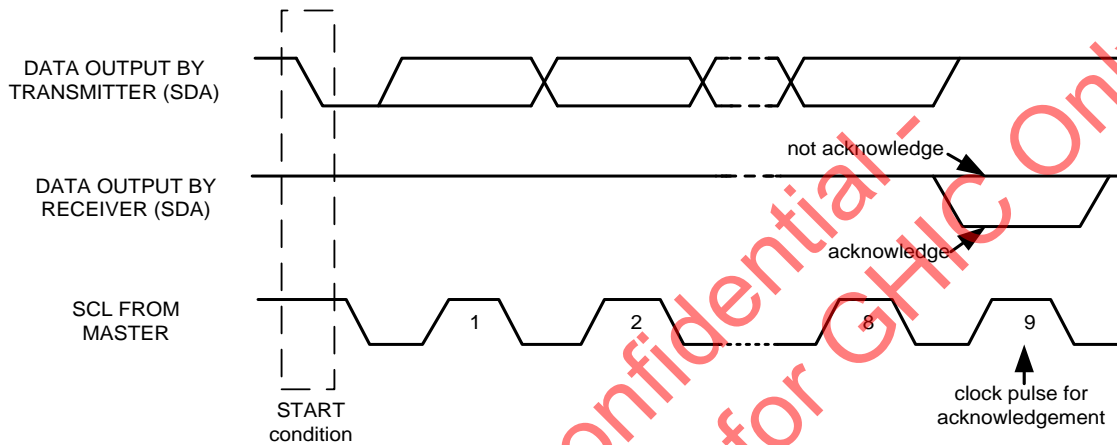


Figure 9. Acknowledge on the I²C Bus

Communications

After beginning communications with the START condition (S), the master sends a 7-bit slave address followed by an 8th bit, the read/write bit. The read/write bit indicates whether the master is receiving data from or is writing to the slave device. Then, the master releases the SDA line and waits for the acknowledge signal (ACK) from the slave device. Each byte transferred must be followed by an acknowledge bit. To acknowledge, the slave device pulls the SDA line LOW and keeps it LOW for the high period of the SCL line. Data transmission is always terminated by the master with a STOP condition (P), thus freeing the communications line. However, the master can generate a repeated START condition (Sr), and address another slave without first generating a STOP condition (P). A LOW to HIGH transition on the SDA line while SCL is HIGH defines the stop condition. All SDA changes should take place when SCL is low, with the exception of start and stop conditions.

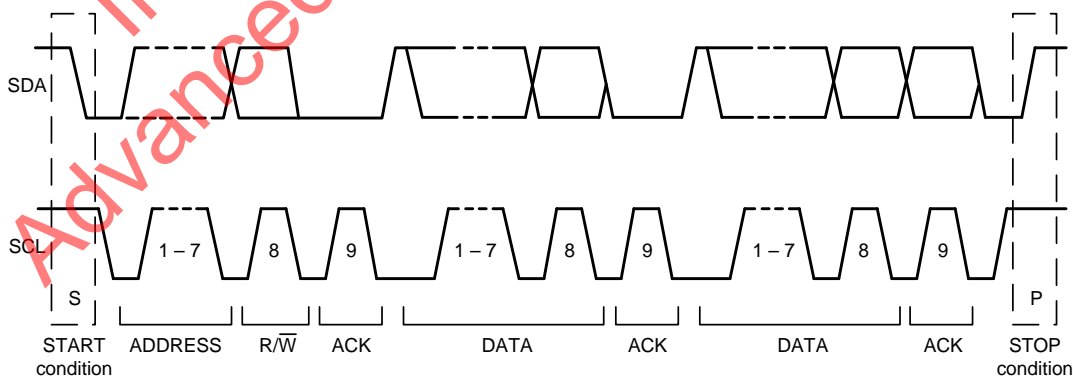


Figure 10. Complete I²C Data Transfer

To write the internal MPU-6886 registers, the master transmits the start condition (S), followed by the I²C address and the write bit (0). At the 9th clock cycle (when the clock is high), the MPU-6886 acknowledges the transfer. Then the master puts the register address (RA) on the bus. After the MPU-6886 acknowledges the reception of the register address, the master puts the register data onto the bus. This is followed by the ACK signal, and data transfer may be concluded by the stop condition (P). To write multiple bytes after the last ACK signal, the master can continue outputting data rather than transmitting a stop signal. In this case, the MPU-6886 automatically increments the register address and loads the data to the appropriate register. The following figures show single and two-byte write sequences.

Single-Byte Write Sequence

| | | | | | | | | |
|--------|---|------|-----|----|-----|------|-----|---|
| Master | S | AD+W | | RA | | DATA | | P |
| Slave | | | ACK | | ACK | | ACK | |

Burst Write Sequence

| | | | | | | | | | | |
|--------|---|------|-----|----|-----|------|-----|------|-----|---|
| Master | S | AD+W | | RA | | DATA | | DATA | | P |
| Slave | | | ACK | | ACK | | ACK | | ACK | |

To read the internal MPU-6886 registers, the master sends a start condition, followed by the I²C address and a write bit, and then the register address that is going to be read. Upon receiving the ACK signal from the MPU-6886, the master transmits a start signal followed by the slave address and read bit. As a result, the MPU-6886 sends an ACK signal and the data. The communication ends with a not acknowledge (NACK) signal and a stop bit from master. The NACK condition is defined such that the SDA line remains high at the 9th clock cycle. The following figures show single and two-byte read sequences.

Single-Byte Read Sequence

| | | | | | | | | | | |
|--------|---|------|-----|----|-----|---|------|-----|------|---|
| Master | S | AD+W | | RA | | S | AD+R | | NACK | P |
| Slave | | | ACK | | ACK | | | ACK | DATA | |

Burst Read Sequence

| | | | | | | | | | | | | | |
|--------|---|------|-----|----|-----|---|------|-----|------|-----|------|------|---|
| Master | S | AD+W | | RA | | S | AD+R | | | ACK | | NACK | P |
| Slave | | | ACK | | ACK | | | ACK | DATA | | DATA | | |

6.4 I²C TERMS

| SIGNAL | DESCRIPTION |
|--------|--|
| S | Start Condition: SDA goes from high to low while SCL is high |
| AD | Slave I ² C address |
| W | Write bit (0) |
| R | Read bit (1) |
| ACK | Acknowledge: SDA line is low while the SCL line is high at the 9 th clock cycle |
| NACK | Not-Acknowledge: SDA line stays high at the 9 th clock cycle |
| RA | MPU-6886 internal register address |
| DATA | Transmit or received data |
| P | Stop condition: SDA going from low to high while SCL is high |

Table 14. I²C Terms

6.5 SPI INTERFACE

SPI is a 4-wire synchronous serial interface that uses two control lines and two data lines. The MPU-6886 always operates as a Slave device during standard Master-Slave SPI operation.

With respect to the Master, the Serial Clock output (SPC), the Serial Data Output (SDO) and the Serial Data Input (SDI) are shared among the Slave devices. Each SPI slave device requires its own Chip Select (CS) line from the master.

CS goes low (active) at the start of transmission and goes back high (inactive) at the end. Only one CS line is active at a time, ensuring that only one slave is selected at any given time. The CS lines of the non-selected slave devices are held high, causing their SDO lines to remain in a high-impedance (high-z) state so that they do not interfere with any active devices.

SPI Operational Features

1. Data is delivered MSB first and LSB last
2. Data is latched on the rising edge of SPC
3. Data should be transitioned on the falling edge of SPC
4. The maximum frequency of SPC is 10MHz
5. SPI read and write operations are completed in 16 or more clock cycles (two or more bytes). The first byte contains the SPI Address, and the following byte(s) contain(s) the SPI data. The first bit of the first byte contains the Read/Write bit and indicates the Read (1) or Write (0) operation. The following 7 bits contain the Register Address. In cases of multiple-byte Read/Writes, data is two or more bytes:

SPI Address format

| MSB | | | | | | | LSB |
|-----|----|----|----|----|----|----|-----|
| R/W | A6 | A5 | A4 | A3 | A2 | A1 | A0 |

SPI Data format

| MSB | | | | | | | LSB |
|-----|----|----|----|----|----|----|-----|
| D7 | D6 | D5 | D4 | D3 | D2 | D1 | D0 |

6. Supports Single or Burst Read/Writes.

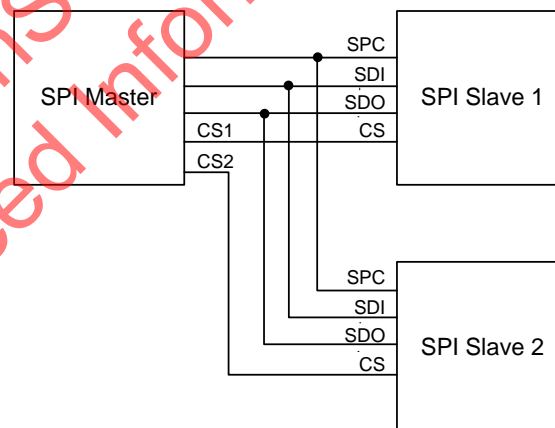


Figure 11. Typical SPI Master/Slave Configuration

7 REGISTER MAP

The following table lists the register map for the MPU-6886. Note that all registers are accessible in all modes of device operation.

| ADDR (HEX) | ADDR (DEC.) | REGISTER NAME | SERIAL I/F | BIT7 | BIT6 | BIT5 | BIT4 | BIT3 | BIT2 | BIT1 | BIT0 | |
|------------|-------------|-------------------|---------------|--------------------|----------------|-------------------|-------------------|-----------------|------------|--------------------|------|--|
| 04 | 04 | XG_OFFS_TC_H | READ/ WRITE | XG_OFFS_LP[5:0] | | | | | | XG_OFFS_TC_H [9:8] | | |
| 05 | 05 | XG_OFFS_TC_L | READ/ WRITE | XG_OFFS_TC_L [7:0] | | | | | | | | |
| 07 | 07 | YG_OFFS_TC_H | READ/ WRITE | YG_OFFS_LP[5:0] | | | | | | YG_OFFS_TC_H [9:8] | | |
| 08 | 08 | YG_OFFS_TC_L | READ/ WRITE | YG_OFFS_TC_L [7:0] | | | | | | | | |
| 0A | 10 | ZG_OFFS_TC_H | READ/ WRITE | ZG_OFFS_LP[5:0] | | | | | | ZG_OFFS_TC_H [9:8] | | |
| 0B | 11 | ZG_OFFS_TC_L | READ/ WRITE | ZG_OFFS_TC_L [7:0] | | | | | | | | |
| 0D | 13 | SELF_TEST_X_ACCEL | READ/ WRITE | XA_ST_DATA[7:0] | | | | | | | | |
| 0E | 14 | SELF_TEST_Y_ACCEL | READ/ WRITE | YA_ST_DATA[7:0] | | | | | | | | |
| 0F | 15 | SELF_TEST_Z_ACCEL | READ/ WRITE | ZA_ST_DATA[7:0] | | | | | | | | |
| 13 | 19 | XG_OFFS_USRH | READ/ WRITE | X_OFFS_USR [15:8] | | | | | | | | |
| 14 | 20 | XG_OFFS_USRL | READ/ WRITE | X_OFFS_USR [7:0] | | | | | | | | |
| 15 | 21 | YG_OFFS_USRH | READ/ WRITE | Y_OFFS_USR [15:8] | | | | | | | | |
| 16 | 22 | YG_OFFS_USRL | READ/ WRITE | Y_OFFS_USR [7:0] | | | | | | | | |
| 17 | 23 | ZG_OFFS_USRH | READ/ WRITE | Z_OFFS_USR [15:8] | | | | | | | | |
| 18 | 24 | ZG_OFFS_USRL | READ/ WRITE | Z_OFFS_USR [7:0] | | | | | | | | |
| 19 | 25 | SMP_LRT_DIV | READ/ WRITE | SMP_LRT_DIV[7:0] | | | | | | | | |
| 1A | 26 | CONFIG | READ/ WRITE | - | FIFO_MODE | EXT_SYNC_SET[2:0] | | DLPF_CFG[2:0] | | | | |
| 1B | 27 | GYRO_CONFIG | READ/ WRITE | XG_ST | YG_ST | ZG_ST | FS_SEL [1:0] | | - | FCHOICE_B[1:0] | | |
| 1C | 28 | ACCEL_CONFIG | READ/ WRITE | XA_ST | YA_ST | ZA_ST | ACCEL_FS_SEL[1:0] | | - | | | |
| 1D | 29 | ACCEL_CONFIG 2 | READ/ WRITE | - | | DEC2_CFG | | ACCEL_FCHOICE_B | A_DLPF_CFG | | | |
| 1E | 30 | LP_MODE_CFG | READ/ WRITE | GYRO_CYCLE | G_AVG_CFG[2:0] | | | - | | | | |
| 20 | 32 | ACCEL_WOM_X_THR | READ/ WRITE | WOM_X_TH[7:0] | | | | | | | | |
| 21 | 33 | ACCEL_WOM_Y_THR | READ/ WRITE | WOM_Y_TH[7:0] | | | | | | | | |
| 22 | 34 | ACCEL_WOM_Z_THR | READ/ WRITE | WOM_Z_TH[7:0] | | | | | | | | |
| 23 | 35 | FIFO_EN | READ/ WRITE | - | | | GYRO_FIFO_EN | ACCEL_FIFO_EN | - | | | |
| 36 | 54 | FSYNC_INT | READ to CLEAR | FSYNC_INT | - | | | | | | | |

| ADDR (HEX) | ADDR (DEC.) | REGISTER NAME | SERIAL I/F | BIT7 | BIT6 | BIT5 | BIT4 | BIT3 | BIT2 | BIT1 | BIT0 | | |
|------------|-------------|--------------------|---------------|----------------------|------------------|--------------|----------------|-----------------|-------------------|-----------------|-----------------|--|--|
| 37 | 55 | INT_PIN_CFG | READ/WRITE | INT_LEVEL | INT_OPEN | LATCH_INT_EN | INT_RD_CLEAR | FSYNC_INT_LEVEL | FSYNC_INT_MODE_EN | - | | | |
| 38 | 56 | INT_ENABLE | READ/WRITE | WOM_X_INT_EN | WOM_Y_INT_EN | WOM_Z_INT_EN | FIFO_OFLOW_EN | - | GDRIVE_INT_EN | - | DATA_RDY_INT_EN | | |
| 39 | 57 | FIFO_WM_INT_STATUS | READ to CLEAR | - | FIFO_WM_INT | - | | | | | | | |
| 3A | 58 | INT_STATUS | READ to CLEAR | WOM_X_INT | WOM_Y_INT | WOM_Z_INT | FIFO_OFLOW_INT | - | GDRIVE_INT | - | DATA_RDY_INT | | |
| 3B | 59 | ACCEL_XOUT_H | READ | ACCEL_XOUT[15:8] | | | | | | | | | |
| 3C | 60 | ACCEL_XOUT_L | READ | ACCEL_XOUT[7:0] | | | | | | | | | |
| 3D | 61 | ACCEL_YOUT_H | READ | ACCEL_YOUT[15:8] | | | | | | | | | |
| 3E | 62 | ACCEL_YOUT_L | READ | ACCEL_YOUT[7:0] | | | | | | | | | |
| 3F | 63 | ACCEL_ZOUT_H | READ | ACCEL_ZOUT[15:8] | | | | | | | | | |
| 40 | 64 | ACCEL_ZOUT_L | READ | ACCEL_ZOUT[7:0] | | | | | | | | | |
| 41 | 65 | TEMP_OUT_H | READ | TEMP_OUT[15:8] | | | | | | | | | |
| 42 | 66 | TEMP_OUT_L | READ | TEMP_OUT[7:0] | | | | | | | | | |
| 43 | 67 | GYRO_XOUT_H | READ | GYRO_XOUT[15:8] | | | | | | | | | |
| 44 | 68 | GYRO_XOUT_L | READ | GYRO_XOUT[7:0] | | | | | | | | | |
| 45 | 69 | GYRO_YOUT_H | READ | GYRO_YOUT[15:8] | | | | | | | | | |
| 46 | 70 | GYRO_YOUT_L | READ | GYRO_YOUT[7:0] | | | | | | | | | |
| 47 | 71 | GYRO_ZOUT_H | READ | GYRO_ZOUT[15:8] | | | | | | | | | |
| 48 | 72 | GYRO_ZOUT_L | READ | GYRO_ZOUT[7:0] | | | | | | | | | |
| 50 | 80 | SELF_TEST_X_GYRO | READ/WRITE | XG_ST_DATA[7:0] | | | | | | | | | |
| 51 | 81 | SELF_TEST_Y_GYRO | READ/WRITE | YG_ST_DATA[7:0] | | | | | | | | | |
| 52 | 82 | SELF_TEST_Z_GYRO | READ/WRITE | ZG_ST_DATA[7:0] | | | | | | | | | |
| 53 | 83 | E_ID0 | READ/WRITE | ENGINEERING_ID0[7:0] | | | | | | | | | |
| 54 | 84 | E_ID1 | READ/WRITE | ENGINEERING_ID1[7:0] | | | | | | | | | |
| 55 | 85 | E_ID2 | READ/WRITE | ENGINEERING_ID2[7:0] | | | | | | | | | |
| 56 | 86 | E_ID3 | READ/WRITE | ENGINEERING_ID3[7:0] | | | | | | | | | |
| 57 | 87 | E_ID4 | READ/WRITE | ENGINEERING_ID4[7:0] | | | | | | | | | |
| 58 | 88 | E_ID5 | READ/WRITE | ENGINEERING_ID5[7:0] | | | | | | | | | |
| 59 | 89 | E_ID6 | READ/WRITE | ENGINEERING_ID6[7:0] | | | | | | | | | |
| 60 | 96 | FIFO_WM_TH1 | READ/WRITE | - | | | | | | FIFO_WM_TH[9:8] | | | |
| 61 | 97 | FIFO_WM_TH2 | READ/WRITE | FIFO_WM_TH[7:0] | | | | | | | | | |
| 68 | 104 | SIGNAL_PATH_RESET | READ/WRITE | - | | | | | | ACCEL_RST | TEMP_RST | | |
| 69 | 105 | ACCEL_INTEL_CTRL | READ/WRITE | ACCEL_INT_EL_EN | ACCEL_INTEL_MODE | - | | | OUTPUT_LIMIT | WOM_TH_MODE | | | |
| 6A | 106 | USER_CTRL | READ/WRITE | - | FIFO_EN | - | | | FIFO_RST | - | SIG_COND_RST | | |
| 6B | 107 | PWR_MGMT_1 | READ/WRITE | DEVICE_RESET | SLEEP | CYCLE | GYRO_STANDBY | TEMP_DIS | CLKSEL[2:0] | | | | |
| 6C | 108 | PWR_MGMT_2 | READ/WRITE | - | | STBY_XA | STBY_YA | STBY_ZA | STBY_XG | STBY_YG | STBY_ZG | | |

| ADDR (HEX) | ADDR (DEC.) | REGISTER NAME | SERIAL I/F | BIT7 | BIT6 | BIT5 | BIT4 | BIT3 | BIT2 | BIT1 | BIT0 |
|------------|-------------|---------------|----------------|------------------|------------|------|------|------|------|------|------|
| 70 | 112 | I2C_IF | READ/ WRITE | - | I2C_IF_DIS | | | | | | |
| 72 | 114 | FIFO_COUNTH | READ | FIFO_COUNT[15:8] | | | | | | | |
| 73 | 115 | FIFO_COUNTL | READ | FIFO_COUNT[7:0] | | | | | | | |
| 74 | 116 | FIFO_R_W | READ/ WRITE | FIFO_DATA[7:0] | | | | | | | |
| 75 | 117 | WHO_AM_I | READ | WHOAMI[7:0] | | | | | | | |
| 77 | 119 | XA_OFFSET_H | READ/ WRITE | XA_OFFS [14:7] | | | | | | | |
| 78 | 120 | XA_OFFSET_L | READ/ WRITE | XA_OFFS [6:0] | | | | | | | |
| 7A | 122 | YA_OFFSET_H | READ/ WRITE | YA_OFFS [14:7] | | | | | | | |
| 7B | 123 | YA_OFFSET_L | READ/ WRITE | YA_OFFS [6:0] | | | | | | | |
| 7D | 125 | ZA_OFFSET_H | READ/ WRITE | ZA_OFFS [14:7] | | | | | | | |
| 7E | 126 | ZA_OFFSET_L | READ/ WRITE | ZA_OFFS [6:0] | | | | | | | |

Table 15. MPU-6886 Register Map

NOTE: Register Names ending in _H and _L contain the high and low bytes, respectively, of an internal register value.

The reset value is 0x00 for all registers other than the registers below, also the self-test registers contain pre-programmed values and will not be 0x00 after reset.

- Register 26 (0x80) CONFIG
- Register 107 (0x41) Power Management 1
- Register 117 (0x19) WHO_AM_I

InvenSense Confidential -
Advanced Information for GHIC Only

8 REGISTER DESCRIPTIONS

This section describes the function and contents of each register within the MPU-6886.

NOTE: The device will come up in sleep mode upon power-up.

8.1 REGISTER 04 – GYROSCOPE LOW NOISE TO LOW POWER OFFSET SHIFT AND GYROSCOPE OFFSET TEMPERATURE COMPENSATION (TC) REGISTER

Register Name: XG_OFFS_TC_H

Register Type: READ/WRITE

Register Address: 04 (Decimal); 04 (Hex)

| BIT | NAME | FUNCTION |
|-------|-------------------|--|
| [7:2] | XG_OFFS_LP[5:0] | Stores the offset shift in the gyroscope output from low noise mode to low power mode to be implemented as a correction in the customer software. 2's complement digital code, 0.125 dps/LSB from 3.875 dps to -4 dps. |
| [1:0] | XG_OFFS_TC_H[9:8] | Bits 9 and 8 of the 10-bit offset of X gyroscope (2's complement). |

8.2 REGISTER 05 – GYROSCOPE LOW NOISE TO LOW POWER OFFSET SHIFT AND GYROSCOPE OFFSET TEMPERATURE COMPENSATION (TC) REGISTER

Register Name: XG_OFFS_TC_L

Register Type: READ/WRITE

Register Address: 05 (Decimal); 05 (Hex)

| BIT | NAME | FUNCTION |
|-------|-------------------|---|
| [7:0] | XG_OFFS_TC_L[7:0] | Bits 7 to 0 of the 10-bit offset of X gyroscope (2's complement). |

Description:

The temperature compensation (TC) registers are used to reduce gyro offset variation due to temperature change. The TC feature is always enabled. However the compensation only happens when a TC coefficient is programmed during factory trim which gets loaded into these registers at power up or after a *DEVICE_RESET*. If these registers contain a value of zero, temperature compensation has no effect on the offset of the chip. The TC registers have a 10-bit magnitude and sign adjustment in all full scale modes with a resolution of 2.52 mdps/C steps.

If these registers contain a non-zero value after power up, the user may write zeros to them to see the offset values without TC with temperature variation. Note that doing so may result in offset values that exceed data sheet "Initial ZRO Tolerance" in other than normal ambient temperature (~25 °C). The TC coefficients maybe restored by the user with a power up or a *DEVICE_RESET*.

The above description also applies to registers 7-8 and 10-11 in sections 8.3, 8.4, 8.5, and 8.6.

8.3 REGISTER 07 – GYROSCOPE LOW NOISE TO LOW POWER OFFSET SHIFT AND GYROSCOPE OFFSET TEMPERATURE COMPENSATION (TC) REGISTER

Register Name: YG_OFFS_TC_H

Register Type: READ/WRITE

Register Address: 07 (Decimal); 07 (Hex)

| BIT | NAME | FUNCTION |
|-------|-------------------|--|
| [7:2] | YG_OFFS_LP[5:0] | Stores the offset shift in the gyroscope output from low noise mode to low power mode to be implemented as a correction in the customer software. 2's complement digital code, 0.125 dps/LSB from 3.875 dps to -4 dps. |
| [1:0] | YG_OFFS_TC_H[9:8] | Bits 9 and 8 of the 10-bit offset of Y gyroscope (2's complement). |

8.4 REGISTER 08 – GYROSCOPE LOW NOISE TO LOW POWER OFFSET SHIFT AND GYROSCOPE OFFSET TEMPERATURE COMPENSATION (TC) REGISTER

Register Name: YG_OFFS_TC_L

Register Type: READ/WRITE

Register Address: 08 (Decimal); 08 (Hex)

| BIT | NAME | FUNCTION |
|-------|-------------------|---|
| [7:0] | YG_OFFS_TC_L[7:0] | Bits 7 to 0 of the 10-bit offset of Y gyroscope (2's complement). |

8.5 REGISTER 10 – GYROSCOPE LOW NOISE TO LOW POWER OFFSET SHIFT AND GYROSCOPE OFFSET TEMPERATURE COMPENSATION (TC) REGISTER

Register Name: ZG_OFFS_TC_H

Register Type: READ/WRITE

Register Address: 10 (Decimal); 0A (Hex)

| BIT | NAME | FUNCTION |
|-------|-------------------|--|
| [7:2] | ZG_OFFS_LP[5:0] | Stores the offset shift in the gyroscope output from low noise mode to low power mode to be implemented as a correction in the customer software. 2's complement digital code, 0.125 dps/LSB from 3.875 dps to -4 dps. |
| [1:0] | ZG_OFFS_TC_H[9:8] | Bits 9 and 8 of the 10-bit offset of Z gyroscope (2's complement). |

8.6 REGISTER 11 – GYROSCOPE LOW NOISE TO LOW POWER OFFSET SHIFT AND GYROSCOPE OFFSET TEMPERATURE COMPENSATION (TC) REGISTER

Register Name: ZG_OFFS_TC_L

Register Type: READ/WRITE

Register Address: 11 (Decimal); 0B (Hex)

| BIT | NAME | FUNCTION |
|-------|-------------------|---|
| [7:0] | ZG_OFFS_TC_L[7:0] | Bits 7 to 0 of the 10-bit offset of Z gyroscope (2's complement). |

8.7 REGISTERS 13 TO 15 – ACCELEROMETER SELF-TEST REGISTERS

Register Name: SELF_TEST_X_ACCEL, SELF_TEST_Y_ACCEL, SELF_TEST_Z_ACCEL

Type: READ/WRITE

Register Address: 13, 14, 15 (Decimal); 0D, 0E, 0F (Hex)

| REGISTER | BITS | NAME | FUNCTION |
|-------------------|-------|-----------------|---|
| SELF_TEST_X_ACCEL | [7:0] | XA_ST_DATA[7:0] | The value in this register indicates the self-test output generated during manufacturing tests. This value is to be used to check against subsequent self-test outputs performed by the end user. |
| SELF_TEST_Y_ACCEL | [7:0] | YA_ST_DATA[7:0] | The value in this register indicates the self-test output generated during manufacturing tests. This value is to be used to check against subsequent self-test outputs performed by the end user. |
| SELF_TEST_Z_ACCEL | [7:0] | ZA_ST_DATA[7:0] | The value in this register indicates the self-test output generated during manufacturing tests. This value is to be used to check against subsequent self-test outputs performed by the end user. |

The equation to convert self-test codes in OTP to factory self-test measurement is:

$$ST_OTP = (2620 / 2^{FS}) * 1.01^{(ST_code-1)} \text{ (lsb)}$$

where ST_OTP is the value that is stored in OTP of the device, FS is the Full Scale value, and ST_code is based on the Self-Test value (ST_FAC) determined in InvenSense’s factory final test and calculated based on the following equation:

$$ST_code = round\left(\frac{\log(ST_FAC / (2620 / 2^{FS}))}{\log(1.01)}\right) + 1$$

8.8 REGISTER 19 – X-GYRO OFFSET ADJUSTMENT REGISTER – HIGH BYTE

Register Name: XG_OFFS_USRH

Register Type: READ/WRITE

Register Address: 19 (Decimal); 13 (Hex)

| BIT | NAME | FUNCTION |
|-------|------------------|---|
| [7:0] | X_OFFS_USR[15:8] | Bits 15 to 8 of the 16-bit offset of X gyroscope (2’s complement). This register is used to remove DC bias from the sensor output. The value in this register is added to the gyroscope sensor value before going into the sensor register. |

8.9 REGISTER 20 – X-GYRO OFFSET ADJUSTMENT REGISTER – LOW BYTE

Register Name: XG_OFFS_USRL

Register Type: READ/WRITE

Register Address: 20 (Decimal); 14 (Hex)

| BIT | NAME | FUNCTION |
|-------|-----------------|--|
| [7:0] | X_OFFS_USR[7:0] | Bits 7 to 0 of the 16-bit offset of X gyroscope (2’s complement). This register is used to remove DC bias from the sensor output. The value in this register is added to the gyroscope sensor value before going into the sensor register. |

8.10 REGISTER 21 – Y-GYRO OFFSET ADJUSTMENT REGISTER – HIGH BYTE

Register Name: YG_OFFS_USRH

Register Type: READ/WRITE

Register Address: 21 (Decimal); 15 (Hex)

| BIT | NAME | FUNCTION |
|-------|------------------|---|
| [7:0] | Y_OFFS_USR[15:8] | Bits 15 to 8 of the 16-bit offset of Y gyroscope (2's complement). This register is used to remove DC bias from the sensor output. The value in this register is added to the gyroscope sensor value before going into the sensor register. |

8.11 REGISTER 22 – Y-GYRO OFFSET ADJUSTMENT REGISTER – LOW BYTE

Register Name: YG_OFFS_USRL

Register Type: READ/WRITE

Register Address: 22 (Decimal); 16 (Hex)

| BIT | NAME | FUNCTION |
|-------|-----------------|--|
| [7:0] | Y_OFFS_USR[7:0] | Bits 7 to 0 of the 16-bit offset of Y gyroscope (2's complement). This register is used to remove DC bias from the sensor output. The value in this register is added to the gyroscope sensor value before going into the sensor register. |

8.12 REGISTER 23 – Z-GYRO OFFSET ADJUSTMENT REGISTER – HIGH BYTE

Register Name: ZG_OFFS_USRH

Register Type: READ/WRITE

Register Address: 23 (Decimal); 17 (Hex)

| BIT | NAME | FUNCTION |
|-------|------------------|---|
| [7:0] | Z_OFFS_USR[15:8] | Bits 15 to 8 of the 16-bit offset of Z gyroscope (2's complement). This register is used to remove DC bias from the sensor output. The value in this register is added to the gyroscope sensor value before going into the sensor register. |

8.13 REGISTER 24 – Z-GYRO OFFSET ADJUSTMENT REGISTER – LOW BYTE

Register Name: ZG_OFFS_USRL

Register Type: READ/WRITE

Register Address: 24 (Decimal); 18 (Hex)

| BIT | NAME | FUNCTION |
|-------|-----------------|--|
| [7:0] | Z_OFFS_USR[7:0] | Bits 7 to 0 of the 16-bit offset of Z gyroscope (2's complement). This register is used to remove DC bias from the sensor output. The value in this register is added to the gyroscope sensor value before going into the sensor register. |

8.14 REGISTER 25 – SAMPLE RATE DIVIDER

Register Name: SMPLRT_DIV

Register Type: READ/WRITE

Register Address: 25 (Decimal); 19 (Hex)

| BIT | NAME | FUNCTION |
|-------|-----------------|--|
| [7:0] | SMPLRT_DIV[7:0] | Divides the internal sample rate (see register CONFIG) to generate the sample rate that controls sensor data output rate, FIFO sample rate. NOTE: This register is only effective when FCHOICE_B register bits are 2'b00, and (0 < DLPF_CFG < 7). This is the update rate of the sensor register: $SAMPLE_RATE = INTERNAL_SAMPLE_RATE / (1 + SMPLRT_DIV)$ Where INTERNAL_SAMPLE_RATE = 1 kHz |

8.15 REGISTER 26 – CONFIGURATION

Register Name: CONFIG

Register Type: READ/WRITE

Register Address: 26 (Decimal); 1A (Hex)

| BIT | NAME | FUNCTION | | | | | | | | | | | | | | | | | | |
|--------------|--------------------|--|--------------|--------------------|---|-------------------|---|---------------|---|----------------|---|----------------|---|----------------|---|-----------------|---|-----------------|---|-----------------|
| [7] | - | Default configuration value is 1. User should set it to 0. | | | | | | | | | | | | | | | | | | |
| [6] | FIFO_MODE | When set to '1', when the FIFO is full, additional writes will not be written to FIFO. When set to '0', when the FIFO is full, additional writes will be written to the FIFO, replacing the oldest data. | | | | | | | | | | | | | | | | | | |
| [5:3] | EXT_SYNC_SET[2:0] | <p>Enables the FSYNC pin data to be sampled.</p> <table border="1"> <thead> <tr> <th>EXT_SYNC_SET</th> <th>FSYNC BIT LOCATION</th> </tr> </thead> <tbody> <tr> <td>0</td> <td>function disabled</td> </tr> <tr> <td>1</td> <td>TEMP_OUT_L[0]</td> </tr> <tr> <td>2</td> <td>GYRO_XOUT_L[0]</td> </tr> <tr> <td>3</td> <td>GYRO_YOUT_L[0]</td> </tr> <tr> <td>4</td> <td>GYRO_ZOUT_L[0]</td> </tr> <tr> <td>5</td> <td>ACCEL_XOUT_L[0]</td> </tr> <tr> <td>6</td> <td>ACCEL_YOUT_L[0]</td> </tr> <tr> <td>7</td> <td>ACCEL_ZOUT_L[0]</td> </tr> </tbody> </table> <p>FSYNC will be latched to capture short strobes. This will be done such that if FSYNC toggles, the latched value toggles, but won't toggle again until the new latched value is captured by the sample rate strobe.</p> | EXT_SYNC_SET | FSYNC BIT LOCATION | 0 | function disabled | 1 | TEMP_OUT_L[0] | 2 | GYRO_XOUT_L[0] | 3 | GYRO_YOUT_L[0] | 4 | GYRO_ZOUT_L[0] | 5 | ACCEL_XOUT_L[0] | 6 | ACCEL_YOUT_L[0] | 7 | ACCEL_ZOUT_L[0] |
| EXT_SYNC_SET | FSYNC BIT LOCATION | | | | | | | | | | | | | | | | | | | |
| 0 | function disabled | | | | | | | | | | | | | | | | | | | |
| 1 | TEMP_OUT_L[0] | | | | | | | | | | | | | | | | | | | |
| 2 | GYRO_XOUT_L[0] | | | | | | | | | | | | | | | | | | | |
| 3 | GYRO_YOUT_L[0] | | | | | | | | | | | | | | | | | | | |
| 4 | GYRO_ZOUT_L[0] | | | | | | | | | | | | | | | | | | | |
| 5 | ACCEL_XOUT_L[0] | | | | | | | | | | | | | | | | | | | |
| 6 | ACCEL_YOUT_L[0] | | | | | | | | | | | | | | | | | | | |
| 7 | ACCEL_ZOUT_L[0] | | | | | | | | | | | | | | | | | | | |
| [2:0] | DLPF_CFG[2:0] | For the DLPF to be used, FCHOICE_B[1:0] is 2'b00. See Table 16. | | | | | | | | | | | | | | | | | | |

The DLPF is configured by *DLPF_CFG*, when *FCHOICE_B* [1:0] = 2'b00. The gyroscope and temperature sensor are filtered according to the value of *DLPF_CFG* and *FCHOICE_B* as shown in the table below.

| FCHOICE_B | | DLPF_CFG | GYROSCOPE | | | TEMPERATURE SENSOR |
|-----------|-----|----------|--------------|---------------|------------|--------------------|
| <1> | <0> | | 3-DB BW (HZ) | NOISE BW (HZ) | RATE (KHZ) | 3-DB BW (HZ) |
| X | 1 | X | 8173 | 8595.1 | 32 | 4000 |
| 1 | 0 | X | 3281 | 3451.0 | 32 | 4000 |
| 0 | 0 | 0 | 250 | 306.6 | 8 | 4000 |
| 0 | 0 | 1 | 176 | 177.0 | 1 | 188 |
| 0 | 0 | 2 | 92 | 108.6 | 1 | 98 |
| 0 | 0 | 3 | 41 | 59.0 | 1 | 42 |
| 0 | 0 | 4 | 20 | 30.5 | 1 | 20 |
| 0 | 0 | 5 | 10 | 15.6 | 1 | 10 |
| 0 | 0 | 6 | 5 | 8.0 | 1 | 5 |
| 0 | 0 | 7 | 3281 | 3451.0 | 8 | 4000 |

Table 16. Configuration

8.16 REGISTER 27 – GYROSCOPE CONFIGURATION

Register Name: GYRO_CONFIG

Register Type: READ/WRITE

Register Address: 27 (Decimal); 1B (Hex)

| BIT | NAME | FUNCTION |
|-------|----------------|---|
| [7] | XG_ST | X Gyro self-test. |
| [6] | YG_ST | Y Gyro self-test. |
| [5] | ZG_ST | Z Gyro self-test. |
| [4:3] | FS_SEL[1:0] | Gyro Full Scale Select: 00 = ± 250 dps. 01 = ± 500 dps. 10 = ± 1000 dps. 11 = ± 2000 dps. |
| [2] | - | Reserved. |
| [1:0] | FCHOICE_B[1:0] | Used to bypass DLPF as shown in Table 16. |

8.17 REGISTER 28 – ACCELEROMETER CONFIGURATION

Register Name: ACCEL_CONFIG

Register Type: READ/WRITE

Register Address: 28 (Decimal); 1C (Hex)

| BIT | NAME | FUNCTION |
|-------|-------------------|---|
| [7] | XA_ST | X Accel self-test. |
| [6] | YA_ST | Y Accel self-test. |
| [5] | ZA_ST | Z Accel self-test. |
| [4:3] | ACCEL_FS_SEL[1:0] | Accel Full Scale Select: $\pm 2g$ (00), $\pm 4g$ (01), $\pm 8g$ (10), $\pm 16g$ (11) |
| [2:0] | - | Reserved. |

8.18 REGISTER 29 – ACCELEROMETER CONFIGURATION 2

Register Name: ACCEL_CONFIG2

Register Type: READ/WRITE

Register Address: 29 (Decimal); 1D (Hex)

| BIT | NAME | FUNCTION |
|-------|-----------------|---|
| [5:4] | DEC2_CFG[1:0] | Averaging filter settings for Low Power Accelerometer mode: 0 = Average 4 samples. 1 = Average 8 samples. 2 = Average 16 samples. 3 = Average 32 samples. |
| [3] | ACCEL_FCHOICE_B | Used to bypass DLPF as shown in the table below. |
| [2:0] | A_DLPF_CFG | Accelerometer low pass filter setting as shown in Table 18. |

| ACCEL_FCHOICE_B | A_DLPF_CFG | ACCELEROMETER | | |
|-----------------|------------|---------------|---------------|------------|
| | | 3-DB BW (HZ) | NOISE BW (HZ) | RATE (KHZ) |
| 1 | X | 1046.0 | 1100.0 | 4 |
| 0 | 0 | 218.1 | 235.0 | 1 |
| 0 | 1 | 218.1 | 235.0 | 1 |
| 0 | 2 | 99.0 | 121.3 | 1 |

| ACCEL_FCHOICE_B | A_DLPF_CFG | ACCELEROMETER | | |
|-----------------|------------|---------------|---------------|------------|
| | | 3-DB BW (HZ) | NOISE BW (HZ) | RATE (KHZ) |
| 0 | 3 | 44.8 | 61.5 | 1 |
| 0 | 4 | 21.2 | 31.0 | 1 |
| 0 | 5 | 10.2 | 15.5 | 1 |
| 0 | 6 | 5.1 | 7.8 | 1 |
| 0 | 7 | 420.0 | 441.6 | 1 |

Table 17. Accelerometer Data Rates and Bandwidths (Low-Noise Mode)

The data output rate of the DLPF filter block can be further reduced by a factor of $1/(1+SMPLRT_DIV)$, where SMPLRT_DIV is an 8-bit integer. Following is a small subset of ODRs that are configurable for the accelerometer in the low-noise mode in this manner (Hz):

3.91, 7.81, 15.63, 31.25, 62.50, 125, 250, 500, 1K

The following table lists the approximate accelerometer filter bandwidths available in the low-power mode of operation for some example ODRs.

In the low-power mode of operation, the accelerometer is duty-cycled. Table 18 shows some example configurations for accelerometer low power mode.

| | AVERAGES | 1x | 4x | 8x | 16x | 32x |
|----------------|-----------------|---|-------|-------|-------|-------|
| | ACCEL_FCHOICE_B | | 1 | 0 | 0 | 0 |
| DEC2_CFG | | X | 0 | 1 | 2 | 3 |
| A_DLPF_CFG | | X | 7 | 7 | 7 | 7 |
| TON (MS) | | 1.084 | 1.84 | 2.84 | 4.84 | 8.84 |
| NBW (HZ) | | 1100 | 442 | 236 | 122 | 62 |
| 3-DB BW (HZ) | | 1046 | 420 | 219 | 111 | 56 |
| NOISE (MG-RMS) | | 4.8 | 3.0 | 2.2 | 1.6 | 1.1 |
| SMPLRT_DIV | ODR (HZ) | LOW-POWER ACCELEROMETER MODE CURRENT CONSUMPTION (µA) | | | | |
| 255 | 3.91 | 9.4 | 10.2 | 11.5 | 13.8 | 18.5 |
| 127 | 7.81 | 10.7 | 12.4 | 14.7 | 19.6 | 28.9 |
| 99 | 10 | 11.4 | 13.7 | 16.6 | 22.6 | 34.7 |
| 63 | 15.63 | 13.3 | 16.7 | 21.5 | 30.8 | 49.7 |
| 31 | 31.25 | 18.3 | 25.4 | 34.8 | 53.6 | 91.2 |
| 19 | 50 | 24.4 | 35.8 | 50.8 | 80.8 | 141.1 |
| 15 | 62.5 | 28.4 | 42.7 | 61.5 | 99.0 | 174.3 |
| 9 | 100 | 40.7 | 63.5 | 93.6 | 153.7 | 303.3 |
| 7 | 125 | 48.8 | 77.4 | 114.8 | 190.1 | N/A |
| 4 | 200 | 73.4 | 118.8 | 178.9 | 299.3 | |
| 3 | 250 | 89.6 | 146.5 | 221.6 | N/A | |
| 1 | 500 | 171.1 | 284.9 | N/A | | |

Table 18. Approximate Accelerometer Filter Bandwidths (Low-Power Mode)

8.19 REGISTER 30 – GYROSCOPE LOW POWER MODE CONFIGURATION

Register Name: LP_MODE_CFG

Register Type: READ/WRITE

Register Address: 30 (Decimal); 1E (Hex)

| BIT | NAME | FUNCTION |
|-------|---------------|--|
| [7] | GYRO_CYCLE | When set to '1' low-power gyroscope mode is enabled. Default setting is '0'. |
| [6:4] | G_AVGCFG[2:0] | Averaging filter configuration for low-power gyroscope mode. Default setting is '000'. |
| [3:0] | - | Reserved. |

To operate in gyroscope low-power mode or 6-axis low-power mode, GYRO_CYCLE should be set to '1.' Gyroscope filter configuration is determined by G_AVGCFG[2:0] that sets the averaging filter configuration. It is not dependent on DLPF_CFG[2:0].

| | AVERAGES | 1X | 2X | 4X | 8X | 16X | 32X | 64X | 128X |
|-------------|--------------|---|-------|-------|-------|------|------|------|------|
| | G_AVGCFG | 0 | 1 | 2 | 3 | 4 | 5 | 6 | 7 |
| | NBW (HZ) | 650.8 | 407.1 | 224.2 | 117.4 | 60.2 | 30.6 | 15.6 | 8.0 |
| | 3-DB BW (HZ) | 622 | 391 | 211 | 108 | 54 | 27 | 14 | 7 |
| SMP_LRT_DIV | ODR (HZ) | LOW-POWER GYROSCOPE MODE CURRENT CONSUMPTION (MA) | | | | | | | |
| 255 | 3.9 | 0.79 | 0.80 | 0.80 | 0.82 | 0.85 | 0.90 | 1.01 | 1.23 |
| 99 | 10.0 | 0.81 | 0.82 | 0.84 | 0.87 | 0.95 | 1.09 | 1.37 | 1.94 |
| 65 | 15.2 | 0.83 | 0.84 | 0.87 | 0.92 | 1.03 | 1.24 | 1.67 | 2.53 |
| 64 | 15.4 | 0.83 | 0.84 | 0.87 | 0.92 | 1.03 | 1.25 | 1.69 | N/A |
| 33 | 29.4 | 0.87 | 0.90 | 0.95 | 1.05 | 1.26 | 1.68 | 2.51 | N/A |
| 32 | 30.3 | 0.87 | 0.90 | 0.95 | 1.06 | 1.28 | 1.70 | N/A | N/A |
| 19 | 50.0 | 0.93 | 0.98 | 1.06 | 1.24 | 1.60 | 2.30 | N/A | N/A |
| 17 | 55.6 | 0.95 | 1.00 | 1.10 | 1.29 | 1.69 | 2.47 | N/A | N/A |
| 16 | 58.8 | 0.96 | 1.01 | 1.11 | 1.32 | 1.74 | N/A | N/A | N/A |
| 9 | 100.0 | 1.08 | 1.17 | 1.35 | 1.70 | 2.41 | N/A | N/A | N/A |
| 7 | 125.0 | 1.16 | 1.27 | 1.49 | 1.93 | N/A | N/A | N/A | N/A |
| 6 | 142.9 | 1.21 | 1.34 | 1.59 | 2.09 | N/A | N/A | N/A | N/A |
| 4 | 200.0 | 1.38 | 1.56 | 1.91 | N/A | N/A | N/A | N/A | N/A |
| 3 | 250.0 | 1.53 | 1.75 | 2.19 | N/A | N/A | N/A | N/A | N/A |
| 2 | 333.3 | 1.78 | 2.07 | N/A | N/A | N/A | N/A | N/A | N/A |

Table 19. Example Gyroscope Configurations (Low-Power Mode)

8.20 REGISTER 32 – WAKE-ON MOTION THRESHOLD (X-AXIS ACCELEROMETER)

Register Name: ACCEL_WOM_X_THR

Register Type: READ/WRITE

Register Address: 32 (Decimal); 20 (Hex)

| BIT | NAME | FUNCTION |
|-------|---------------|--|
| [7:0] | WOM_X_TH[7:0] | This register holds the threshold value for the Wake on Motion Interrupt for X-axis accelerometer. |

8.21 REGISTER 33 – WAKE-ON MOTION THRESHOLD (Y-AXIS ACCELEROMETER)

Register Name: ACCEL_WOM_Y_THR

Register Type: READ/WRITE

Register Address: 33 (Decimal); 21 (Hex)

| BIT | NAME | FUNCTION |
|-------|---------------|--|
| [7:0] | WOM_Y_TH[7:0] | This register holds the threshold value for the Wake on Motion Interrupt for Y-axis accelerometer. |

8.22 REGISTER 34 – WAKE-ON MOTION THRESHOLD (Z-AXIS ACCELEROMETER)

Register Name: ACCEL_WOM_Z_THR

Register Type: READ/WRITE

Register Address: 34 (Decimal); 22 (Hex)

| BIT | NAME | FUNCTION |
|-------|---------------|--|
| [7:0] | WOM_Z_TH[7:0] | This register holds the threshold value for the Wake on Motion Interrupt for Z-axis accelerometer. |

8.23 REGISTER 35 – FIFO ENABLE

Register Name: FIFO_EN

Register Type: READ/WRITE

Register Address: 35 (Decimal); 23 (Hex)

| BIT | NAME | FUNCTION |
|-------|---------------|---|
| [7:5] | - | Reserved. |
| [4] | GYRO_FIFO_EN | 1 – Write TEMP_OUT_H, TEMP_OUT_L, GYRO_XOUT_H, GYRO_XOUT_L, GYRO_YOUT_H, GYRO_YOUT_L, GYRO_ZOUT_H, and GYRO_ZOUT_L to the FIFO at the sample rate; If enabled, buffering of data occurs even if data path is in standby. 0 – Function is disabled. |
| [3] | ACCEL_FIFO_EN | 1 – Write ACCEL_XOUT_H, ACCEL_XOUT_L, ACCEL_YOUT_H, ACCEL_YOUT_L, ACCEL_ZOUT_H, ACCEL_ZOUT_L, TEMP_OUT_H, and TEMP_OUT_L to the FIFO at the sample rate; 0 – Function is disabled. |
| [2:0] | - | Reserved. |

NOTE: If both GYRO_FIFO_EN And ACCEL_FIFO_EN are 1, write ACCEL_XOUT_H, ACCEL_XOUT_L, ACCEL_YOUT_H, ACCEL_YOUT_L, ACCEL_ZOUT_H, ACCEL_ZOUT_L, TEMP_OUT_H, TEMP_OUT_L, GYRO_XOUT_H, GYRO_XOUT_L, GYRO_YOUT_H, GYRO_YOUT_L, GYRO_ZOUT_H, and GYRO_ZOUT_L to the FIFO at the sample rate.

8.24 REGISTER 54 – FSYNC INTERRUPT STATUS

Register Name: FSYNC_INT

Register Type: READ to CLEAR

Register Address: 54 (Decimal); 36 (Hex)

| BIT | NAME | FUNCTION |
|-----|-----------|---|
| [7] | FSYNC_INT | This bit automatically sets to 1 when a FSYNC interrupt has been generated. The bit clears to 0 after the register has been read. |

8.25 REGISTER 55 – INT/DRDY PIN / BYPASS ENABLE CONFIGURATION

Register Name: INT_PIN_CFG

Register Type: READ/WRITE

Register Address: 55 (Decimal); 37 (Hex)

| BIT | NAME | FUNCTION |
|-------|-------------------|---|
| [7] | INT_LEVEL | 1 – The logic level for INT/DRDY pin is active low. 0 – The logic level for INT/DRDY pin is active high. |
| [6] | INT_OPEN | 1 – INT/DRDY pin is configured as open drain. 0 – INT/DRDY pin is configured as push-pull. |
| [5] | LATCH_INT_EN | 1 – INT/DRDY pin level held until interrupt status is cleared. 0 – INT/DRDY pin indicates interrupt pulse’s width is 50 μ s. |
| [4] | INT_RD_CLEAR | 1 – Interrupt status is cleared if any read operation is performed. 0 – Interrupt status is cleared only by reading INT_STATUS register. |
| [3] | FSYNC_INT_LEVEL | 1 – The logic level for the FSYNC pin as an interrupt is active low. 0 – The logic level for the FSYNC pin as an interrupt is active high. |
| [2] | FSYNC_INT_MODE_EN | When this bit is equal to 1, the FSYNC pin will trigger an interrupt when it transitions to the level specified by FSYNC_INT_LEVEL. When this bit is equal to 0, the FSYNC pin is disabled from causing an interrupt. |
| [1:0] | - | Reserved. |

8.26 REGISTER 56 – INTERRUPT ENABLE

Register Name: INT_ENABLE

Register Type: READ/WRITE

Register Address: 56 (Decimal); 38 (Hex)

| BIT | NAME | FUNCTION |
|-----|-----------------|---|
| [7] | WOM_X_INT_EN | 1 – Enable WoM interrupt on X-axis accelerometer. Default setting is 0. |
| [6] | WOM_Y_INT_EN | 1 – Enable WoM interrupt on Y-axis accelerometer. Default setting is 0. |
| [5] | WOM_Z_INT_EN | 1 – Enable WoM interrupt on Z-axis accelerometer. Default setting is 0. |
| [4] | FIFO_OFLOW_EN | 1 – Enables a FIFO buffer overflow to generate an interrupt. 0 – Function is disabled. |
| [3] | - | Reserved. |
| [2] | GDRIVE_INT_EN | Gyroscope Drive System Ready interrupt enable. |
| [1] | - | Reserved. |
| [0] | DATA_RDY_INT_EN | Data ready interrupt enable. |

8.27 REGISTER 57 – FIFO WATERMARK INTERRUPT STATUS

Register Name: FIFO_WM_INT_STATUS

Register Type: READ to CLEAR

Register Address: 57 (Decimal); 39 (Hex)

| BIT | NAME | FUNCTION |
|-----|-------------|---|
| [6] | FIFO_WM_INT | FIFO Watermark interrupt status. Cleared on Read. |

8.28 REGISTER 58 – INTERRUPT STATUS

Register Name: INT_STATUS

Register Type: READ to CLEAR

Register Address: 58 (Decimal); 3A (Hex)

| BIT | NAME | FUNCTION |
|-----|----------------|--|
| [7] | WOM_X_INT | X-axis accelerometer WoM interrupt status. Cleared on Read. |
| [6] | WOM_Y_INT | Y-axis accelerometer WoM interrupt status. Cleared on Read. |
| [5] | WOM_Z_INT | Z-axis accelerometer WoM interrupt status. Cleared on Read. |
| [4] | FIFO_OFLOW_INT | This bit automatically sets to 1 when a FIFO buffer overflow has been generated. The bit clears to 0 after the register has been read. |
| [3] | - | Reserved. |
| [2] | GDRIVE_INT | Gyroscope Drive System Ready interrupt. |
| [1] | - | Reserved. |
| [0] | DATA_RDY_INT | This bit automatically sets to 1 when a Data Ready interrupt is generated. The bit clears to 0 after the register has been read. |

8.29 REGISTERS 59 TO 64 – ACCELEROMETER MEASUREMENTS

Register Name: ACCEL_XOUT_H

Register Type: READ only

Register Address: 59 (Decimal); 3B (Hex)

| BIT | NAME | FUNCTION |
|-------|------------------|---|
| [7:0] | ACCEL_XOUT[15:8] | High byte of accelerometer x-axis data. |

Register Name: ACCEL_XOUT_L

Register Type: READ only

Register Address: 60 (Decimal); 3C (Hex)

| BIT | NAME | FUNCTION |
|-------|-----------------|--|
| [7:0] | ACCEL_XOUT[7:0] | Low byte of accelerometer x-axis data. |

Register Name: ACCEL_YOUT_H

Register Type: READ only

Register Address: 61 (Decimal); 3D (Hex)

| BIT | NAME | FUNCTION |
|-------|------------------|---|
| [7:0] | ACCEL_YOUT[15:8] | High byte of accelerometer y-axis data. |

Register Name: ACCEL_YOUT_L

Register Type: READ only

Register Address: 62 (Decimal); 3E (Hex)

| BIT | NAME | FUNCTION |
|-------|-----------------|--|
| [7:0] | ACCEL_YOUT[7:0] | Low byte of accelerometer y-axis data. |

Register Name: ACCEL_ZOUT_H

Register Type: READ only

Register Address: 63 (Decimal); 3F (Hex)

| BIT | NAME | FUNCTION |
|-------|------------------|---|
| [7:0] | ACCEL_ZOUT[15:8] | High byte of accelerometer z-axis data. |

Register Name: ACCEL_ZOUT_L

Register Type: READ only

Register Address: 64 (Decimal); 40 (Hex)

| BIT | NAME | FUNCTION |
|-------|-----------------|--|
| [7:0] | ACCEL_ZOUT[7:0] | Low byte of accelerometer z-axis data. |

8.30 REGISTERS 65 AND 66 – TEMPERATURE MEASUREMENT

Register Name: TEMP_OUT_H

Register Type: READ only

Register Address: 65 (Decimal); 41 (Hex)

| BIT | NAME | FUNCTION |
|-------|----------------|---|
| [7:0] | TEMP_OUT[15:8] | Low byte of the temperature sensor output |

Register Name: TEMP_OUT_L

Register Type: READ only

Register Address: 66 (Decimal); 42 (Hex)

| BIT | NAME | FUNCTION |
|-------|---------------|---|
| [7:0] | TEMP_OUT[7:0] | High byte of the temperature sensor output $TEMP_degC = (TEMP_OUT[15:0] / Temp_Sensitivity) + RoomTemp_Offset$ where Temp_Sensitivity = 326.8 LSB/°C and RoomTemp_Offset = 25°C |

8.31 REGISTERS 67 TO 72 – GYROSCOPE MEASUREMENTS

Register Name: GYRO_XOUT_H

Register Type: READ only

Register Address: 67 (Decimal); 43 (Hex)

| BIT | NAME | FUNCTION |
|-------|-----------------|---|
| [7:0] | GYRO_XOUT[15:8] | High byte of the X-Axis gyroscope output. |

Register Name: GYRO_XOUT_L

Register Type: READ only

Register Address: 68 (Decimal); 44 (Hex)

| BIT | NAME | FUNCTION |
|-------|----------------|---|
| [7:0] | GYRO_XOUT[7:0] | Low byte of the X-Axis gyroscope output $GYRO_XOUT = Gyro_Sensitivity * X_angular_rate$ Nominal FS_SEL = 0 Conditions Gyro_Sensitivity = 131 LSB/(dps) |

Register Name: GYRO_YOUT_H

Register Type: READ only

Register Address: 69 (Decimal); 45 (Hex)

| BIT | NAME | FUNCTION |
|-------|-----------------|---|
| [7:0] | GYRO_YOUT[15:8] | High byte of the Y-Axis gyroscope output. |

Register Name: GYRO_YOUT_L

Register Type: READ only

Register Address: 70 (Decimal); 46 (Hex)

| BIT | NAME | FUNCTION |
|-------|----------------|--|
| [7:0] | GYRO_YOUT[7:0] | Low byte of the Y-Axis gyroscope output GYRO_YOUT = Gyro_Sensitivity * Y_angular_rate Nominal FS_SEL = 0 Conditions Gyro_Sensitivity = 131 LSB/(dps) |

Register Name: GYRO_ZOUT_H

Register Type: READ only

Register Address: 71 (Decimal); 47 (Hex)

| BIT | NAME | FUNCTION |
|-------|-----------------|---|
| [7:0] | GYRO_ZOUT[15:8] | High byte of the Z-Axis gyroscope output. |

Register Name: GYRO_ZOUT_L

Register Type: READ only

Register Address: 72 (Decimal); 48 (Hex)

| BIT | NAME | FUNCTION |
|-------|----------------|--|
| [7:0] | GYRO_ZOUT[7:0] | Low byte of the Z-Axis gyroscope output GYRO_ZOUT = Gyro_Sensitivity * Z_angular_rate Nominal FS_SEL = 0 Conditions Gyro_Sensitivity = 131 LSB/(dps) |

8.32 REGISTERS 80 TO 82 – GYROSCOPE SELF-TEST REGISTERS

Register Name: SELF_TEST_X_GYRO, SELF_TEST_Y_GYRO, SELF_TEST_Z_GYRO

Type: READ/WRITE

Register Address: 80, 81, 82 (Decimal); 50, 51, 52 (Hex)

| REGISTER | BIT | NAME | FUNCTION |
|------------------|-------|-----------------|---|
| SELF_TEST_X_GYRO | [7:0] | XG_ST_DATA[7:0] | The value in this register indicates the self-test output generated during manufacturing tests. This value is to be used to check against subsequent self-test outputs performed by the end user. |
| SELF_TEST_Y_GYRO | [7:0] | YG_ST_DATA[7:0] | The value in this register indicates the self-test output generated during manufacturing tests. This value is to be used to check against subsequent self-test outputs performed by the end user. |
| SELF_TEST_Z_GYRO | [7:0] | ZG_ST_DATA[7:0] | The value in this register indicates the self-test output generated during manufacturing tests. This value is to be used to check against subsequent self-test outputs performed by the end user. |

The equation to convert self-test codes in OTP to factory self-test measurement is:

$$ST_OTP = (2620 / 2^{FS}) * 1.01^{(ST_code-1)} \text{ (lsb)}$$

where ST_OTP is the value that is stored in OTP of the device, FS is the Full Scale value, and ST_code is based on the Self-Test value (ST_FAC) determined in InvenSense’s factory final test and calculated based on the following equation:

$$ST_code = round\left(\frac{\log(ST_FAC / (2620 / 2^{FS}))}{\log(1.01)}\right) + 1$$

8.33 REGISTERS 83 TO 90 – ENGINEERING ID REGISTERS

Register Name: E_ID0 – E_ID6

Type: READ/WRITE

Register Address: 83 - 89 (Decimal); 53 – 59 (Hex)

| REGISTER | BIT | NAME | FUNCTION |
|----------|-------|----------------------|-----------------|
| E_ID0 | [7:0] | ENGINEERING_ID0[7:0] | Engineering ID. |
| E_ID1 | [7:0] | ENGINEERING_ID1[7:0] | Engineering ID. |
| E_ID2 | [7:0] | ENGINEERING_ID2[7:0] | Engineering ID. |
| E_ID3 | [7:0] | ENGINEERING_ID3[7:0] | Engineering ID. |
| E_ID4 | [7:0] | ENGINEERING_ID4[7:0] | Engineering ID. |
| E_ID5 | [7:0] | ENGINEERING_ID5[7:0] | Engineering ID. |
| E_ID6 | [7:0] | ENGINEERING_ID6[7:0] | Engineering ID. |

8.34 REGISTER 96-97 – FIFO WATERMARK THRESHOLD IN NUMBER OF BYTES

Register Name: FIFO_WM_TH1

Register Type: READ/WRITE

Register Address: 96 (Decimal); 60 (Hex)

| BIT | NAME | FUNCTION |
|-------|-----------------|---|
| [1:0] | FIFO_WM_TH[9:8] | FIFO watermark threshold in number of bytes. Watermark interrupt is disabled if the threshold is set to "0". Default value is 00000000. |

Register Name: FIFO_WM_TH2

Register Type: READ/WRITE

Register Address: 97 (Decimal); 61 (Hex)

| BIT | NAME | FUNCTION |
|-------|-----------------|---|
| [7:0] | FIFO_WM_TH[7:0] | FIFO watermark threshold in number of bytes. Watermark interrupt is disabled if the threshold is set to "0". Default value is 00000000. |

The register FIFO_WM_TH[9:0] sets the FIFO watermark threshold level (0 - 1023). User should ensure that bit 7 of register 0x1A is set to 0 before using this feature. When the FIFO count is at or above the watermark level ($FIFO_COUNT[15:0] \geq FIFO_WM_TH[9:0]$) and the system is not in the middle of a FIFO read, an interrupt is triggered. The interrupt will set the FIFO watermark interrupt status register field FIFO_WM_INT = 1, and the INT pin will issue a pulse if configured in pulse mode, or set to the active level if configured in latch mode. Register bit FIFO_WM_INT is not read-to-clear, unlike the other interrupts. Rather, whenever FIFO_R_W register is read, FIFO_WM_INT status bit is cleared automatically. At the same time, the INT pin will be cleared as well if it is configured in latch mode.

The FIFO watermark interrupt and the INT pin are cleared upon the first read (and only the first read) of the FIFO. If, at the end of the FIFO read, the FIFO count is at or above the watermark level, the interrupt status bit and INT pin will again be set. If the INT pin is configured for latched operation, it will wait until the host completes the read to set to the active level.

When FIFO_WM_TH = 0, the FIFO watermark interrupt is disabled.

8.35 REGISTER 104 – SIGNAL PATH RESET

Register Name: SIGNAL_PATH_RESET

Register Type: READ/WRITE

Register Address: 104 (Decimal); 68 (Hex)

| BIT | NAME | FUNCTION |
|-------|-----------|---|
| [7:2] | - | Reserved. |
| [1] | ACCEL_RST | Reset accel digital signal path. NOTE: Sensor registers are not cleared. Use SIG_COND_RST to clear sensor registers. |
| [0] | TEMP_RST | Reset temp digital signal path. NOTE: Sensor registers are not cleared. Use SIG_COND_RST to clear sensor registers. |

8.36 REGISTER 105 – ACCELEROMETER INTELLIGENCE CONTROL

Register Name: ACCEL_INTEL_CTRL

Register Type: READ/WRITE

Register Address: 105 (Decimal); 69 (Hex)

| BIT | NAME | FUNCTION |
|-------|------------------|---|
| [7] | ACCEL_INTEL_EN | This bit enables the Wake-on-Motion detection logic. |
| [6] | ACCEL_INTEL_MODE | 0 – Do not use. 1 – Compare the current sample with the previous sample. |
| [5:2] | - | Reserved. |
| [1] | OUTPUT_LIMIT | To avoid limiting sensor output to less than 0x7E7F, set this bit to 1. This should be done every time the MPU-6886 is powered up. |
| [0] | WOM_TH_MODE | 0 – Set WoM interrupt on the OR of all enabled accelerometer thresholds. 1 – Set WoM interrupt on the AND of all enabled accelerometer threshold. Default setting is 0. |

8.37 REGISTER 106 – USER CONTROL

Register Name: USER_CTRL

Register Type: READ/WRITE

Register Address: 106 (Decimal); 6A (Hex)

| BIT | NAME | FUNCTION |
|-----|--------------|---|
| [7] | - | Reserved. |
| [6] | FIFO_EN | 1 – Enable FIFO operation mode. 0 – Disable FIFO access from serial interface. |
| [5] | - | Reserved. |
| [4] | - | Reserved. |
| [3] | - | Reserved. |
| [2] | FIFO_RST | 1 – Reset FIFO module. Reset is asynchronous. This bit auto clears after one clock cycle of the internal 20 MHz clock. |
| [1] | - | Reserved. |
| [0] | SIG_COND_RST | 1 – Reset all gyro digital signal path, accel digital signal path, and temp digital signal path. This bit also clears all the sensor registers. |

8.38 REGISTER 107 – POWER MANAGEMENT 1

Register Name: PWR_MGMT_1

Register Type: READ/WRITE

Register Address: 107 (Decimal); 6B (Hex)

| BIT | NAME | FUNCTION | | | | | | | | | | | | | | | | | | |
|-------|---|---|------|--------------|---|----------------------------|---|---|---|---|---|---|---|---|---|---|---|---------------------------|---|---|
| [7] | DEVICE_RESET | 1 – Reset the internal registers and restores the default settings. The bit automatically clears to 0 once the reset is done. | | | | | | | | | | | | | | | | | | |
| [6] | SLEEP | When set to 1, the chip is set to sleep mode. | | | | | | | | | | | | | | | | | | |
| [5] | CYCLE | When set to 1, and SLEEP and STANDBY are not set to 1, the chip will cycle between sleep and taking a single accelerometer sample at a rate determined by SMPLRT_DIV NOTE: When all accelerometer axes are disabled via PWR_MGMT_2 register bits and cycle is enabled the chip will wake up at the rate determined by the respective registers above, but will not take any samples. | | | | | | | | | | | | | | | | | | |
| [4] | GYRO_STANDBY | When set, the gyro drive and pll circuitry are enabled, but the sense paths are disabled. This is a low power mode that allows quick enabling of the gyros. | | | | | | | | | | | | | | | | | | |
| [3] | TEMP_DIS | When set to 1, this bit disables the temperature sensor. | | | | | | | | | | | | | | | | | | |
| [2:0] | CLKSEL[2:0] | <table border="1"> <thead> <tr> <th>CODE</th> <th>CLOCK SOURCE</th> </tr> </thead> <tbody> <tr> <td>0</td> <td>Internal 20 MHz oscillator</td> </tr> <tr> <td>1</td> <td>Auto selects the best available clock source – PLL if ready, else use the Internal oscillator</td> </tr> <tr> <td>2</td> <td>Auto selects the best available clock source – PLL if ready, else use the Internal oscillator</td> </tr> <tr> <td>3</td> <td>Auto selects the best available clock source – PLL if ready, else use the Internal oscillator</td> </tr> <tr> <td>4</td> <td>Auto selects the best available clock source – PLL if ready, else use the Internal oscillator</td> </tr> <tr> <td>5</td> <td>Auto selects the best available clock source – PLL if ready, else use the Internal oscillator</td> </tr> <tr> <td>6</td> <td>Internal 20MHz oscillator</td> </tr> <tr> <td>7</td> <td>Stops the clock and keeps timing generator in reset</td> </tr> </tbody> </table> | CODE | CLOCK SOURCE | 0 | Internal 20 MHz oscillator | 1 | Auto selects the best available clock source – PLL if ready, else use the Internal oscillator | 2 | Auto selects the best available clock source – PLL if ready, else use the Internal oscillator | 3 | Auto selects the best available clock source – PLL if ready, else use the Internal oscillator | 4 | Auto selects the best available clock source – PLL if ready, else use the Internal oscillator | 5 | Auto selects the best available clock source – PLL if ready, else use the Internal oscillator | 6 | Internal 20MHz oscillator | 7 | Stops the clock and keeps timing generator in reset |
| CODE | CLOCK SOURCE | | | | | | | | | | | | | | | | | | | |
| 0 | Internal 20 MHz oscillator | | | | | | | | | | | | | | | | | | | |
| 1 | Auto selects the best available clock source – PLL if ready, else use the Internal oscillator | | | | | | | | | | | | | | | | | | | |
| 2 | Auto selects the best available clock source – PLL if ready, else use the Internal oscillator | | | | | | | | | | | | | | | | | | | |
| 3 | Auto selects the best available clock source – PLL if ready, else use the Internal oscillator | | | | | | | | | | | | | | | | | | | |
| 4 | Auto selects the best available clock source – PLL if ready, else use the Internal oscillator | | | | | | | | | | | | | | | | | | | |
| 5 | Auto selects the best available clock source – PLL if ready, else use the Internal oscillator | | | | | | | | | | | | | | | | | | | |
| 6 | Internal 20MHz oscillator | | | | | | | | | | | | | | | | | | | |
| 7 | Stops the clock and keeps timing generator in reset | | | | | | | | | | | | | | | | | | | |

NOTE: The default value of CLKSEL[2:0] is 001. CLKSEL[2:0] must be set to 001 to achieve full gyroscope performance.

8.39 REGISTER 108 – POWER MANAGEMENT 2

Register Name: PWR_MGMT_2

Register Type: READ/WRITE

Register Address: 108 (Decimal); 6C (Hex)

| BIT | NAME | FUNCTION |
|-----|---------|--|
| [7] | - | Reserved. |
| [6] | - | Reserved. |
| [5] | STBY_XA | 1 – X-accelerometer is disabled. 0 – X-accelerometer is on. |
| [4] | STBY_YA | 1 – Y-accelerometer is disabled. 0 – Y-accelerometer is on. |
| [3] | STBY_ZA | 1 – Z-accelerometer is disabled. 0 – Z-accelerometer is on. |
| [2] | STBY_XG | 1 – X-gyro is disabled. 0 – X-gyro is on. |
| [1] | STBY_YG | 1 – Y-gyro is disabled. 0 – Y-gyro is on. |
| [0] | STBY_ZG | 1 – Z-gyro is disabled. 0 – Z-gyro is on. |

8.40 REGISTER 112 – I²C INTERFACE

Register Name: I2C_IF

Register Type: READ/WRITE

Register Address: 112 (Decimal); 70 (Hex)

| BIT | NAME | FUNCTION |
|-------|------------|--|
| [7] | - | Reserved. |
| [6] | I2C_IF_DIS | 1 – Disable I ² C Slave module and put the serial interface in SPI mode only. |
| [5:0] | - | Reserved. |

8.41 REGISTER 114 AND 115 – FIFO COUNT REGISTERS

Register Name: FIFO_COUNTH

Register Type: READ Only

Register Address: 114 (Decimal); 72 (Hex)

| BIT | NAME | FUNCTION |
|-------|------------------|---|
| [7:0] | FIFO_COUNT[15:8] | High Bits, count indicates the number of written bytes in the FIFO. Reading this byte latches the data for both FIFO_COUNTH, and FIFO_COUNTL. |

Register Name: FIFO_COUNTL

Register Type: READ Only

Register Address: 115 (Decimal); 73 (Hex)

| BIT | NAME | FUNCTION |
|-------|-----------------|---|
| [7:0] | FIFO_COUNT[7:0] | Low Bits, count indicates the number of written bytes in the FIFO. NOTE: Must read FIFO_COUNTL to latch new data for both FIFO_COUNTH and FIFO_COUNTL. |

8.42 REGISTER 116 – FIFO READ WRITE

Register Name: FIFO_R_W

Register Type: READ/WRITE

Register Address: 116 (Decimal); 74 (Hex)

| BIT | NAME | FUNCTION |
|-------|----------------|---|
| [7:0] | FIFO_DATA[7:0] | Read/Write command provides Read or Write operation for the FIFO. |

Description:

This register is used to read and write data from the FIFO buffer.

Data is written to the FIFO in order of register number (from lowest to highest). If all the FIFO enable flags (see below) are enabled, the contents of registers 59 through 72 will be written in order at the Sample Rate.

The contents of the sensor data registers (Registers 59 to 72) are written into the FIFO buffer when their corresponding FIFO enable flags are set to 1 in FIFO_EN (Register 35).

If the FIFO buffer has overflowed, the status bit *FIFO_OVERFLOW_INT* is automatically set to 1. This bit is located in INT_STATUS (Register 58). When the FIFO buffer has overflowed, the oldest data will be lost and new data will be written to the FIFO unless register 26 CONFIG, bit[6] FIFO_MODE = 1.

If the FIFO buffer is empty, reading register FIFO_DATA will return a unique value of 0xFF until new data is available. Normal data is precluded from ever indicating 0xFF, so 0xFF gives a trustworthy indication of FIFO empty.

8.43 REGISTER 117 – WHO AM I

Register Name: WHO_AM_I

Register Type: READ only

Register Address: 117 (Decimal); 75 (Hex)

| BIT | NAME | FUNCTION |
|-------|--------|--|
| [7:0] | WHOAMI | Register to indicate to user which device is being accessed. |

This register is used to verify the identity of the device. The contents of *WHOAMI* is an 8-bit device ID. The default value of the register is 0x19. This is different from the I²C address of the device as seen on the slave I²C controller by the applications processor. The I²C address of the MPU-6886 is 0x68 or 0x69 depending upon the value driven on ADO pin.

8.44 REGISTERS 119, 120, 122, 123, 125, 126 ACCELEROMETER OFFSET REGISTERS

Register Name: XA_OFFSET_H

Register Type: READ/WRITE

Register Address: 119 (Decimal); 77 (Hex)

| BIT | NAME | FUNCTION |
|-------|---------------|--|
| [7:0] | XA_OFFS[14:7] | Upper bits of the X accelerometer offset cancellation. ±16g Offset cancellation in all Full Scale modes, 15 bit 0.98-mg steps. |

Register Name: XA_OFFSET_L

Register Type: READ/WRITE

Register Address: 120 (Decimal); 78 (Hex)

| BIT | NAME | FUNCTION |
|-------|--------------|--|
| [7:1] | XA_OFFS[6:0] | Lower bits of the X accelerometer offset cancellation. ±16g Offset cancellation in all Full Scale modes, 15 bit 0.98-mg steps. |
| [0] | - | Reserved. |

Register Name: YA_OFFSET_H

Register Type: READ/WRITE

Register Address: 122 (Decimal); 7A (Hex)

| BIT | NAME | FUNCTION |
|-------|---------------|---|
| [7:0] | YA_OFFS[14:7] | Upper bits of the Y accelerometer offset cancellation. ±16g Offset cancellation in all Full Scale modes, 15 bit 0.98-mg steps |

Register Name: YA_OFFSET_L

Register Type: READ/WRITE

Register Address: 123 (Decimal); 7B (Hex)

| BIT | NAME | FUNCTION |
|-------|--------------|---|
| [7:1] | YA_OFFS[6:0] | Lower bits of the Y accelerometer offset cancellation. ±16g Offset cancellation in all Full Scale modes, 15 bit 0.98-mg steps |
| [0] | - | Reserved. |

Register Name: ZA_OFFSET_H

Register Type: READ/WRITE

Register Address: 125 (Decimal); 7D (Hex)

| BIT | NAME | FUNCTION |
|-------|---------------|--|
| [7:0] | ZA_OFFS[14:7] | Upper bits of the Z accelerometer offset cancellation. $\pm 16g$ Offset cancellation in all Full Scale modes, 15 bit 0.98-mg steps |

Register Name: ZA_OFFSET_L

Register Type: READ/WRITE

Register Address: 126 (Decimal); 7E (Hex)

| BIT | NAME | FUNCTION |
|-------|--------------|--|
| [7:1] | ZA_OFFS[6:0] | Lower bits of the Z accelerometer offset cancellation. $\pm 16g$ Offset cancellation in all Full Scale modes, 15 bit 0.98-mg steps |
| [0] | - | Reserved. |

InvenSense Confidential -
Advanced Information for GHIC Only

9 USE NOTES

9.1 ACCELEROMETER-ONLY LOW-NOISE MODE

The first output sample in Accelerometer-Only Low-Noise Mode after wake up from sleep always has 1 ms delay, independent of ODR.

9.2 ACCELEROMETER LOW-POWER MODE

Changing the value of SMPLRT_DIV register in Accelerometer Low-Power mode will take effect after up to one sample at the old ODR.

9.3 SENSOR MODE CHANGE

When switching from low-power modes to low-noise modes, unsettled output samples may be observed at the gyroscope or accelerometer outputs due to filter switching and settling. The number of unsettled output samples depends on the filter and ODR settings. The number of unsettled output samples is minimized by selecting the widest low-noise-mode filter bandwidth consistent with the chosen ODR.

9.4 TEMP SENSOR DURING GYROSCOPE STANDBY MODE

During transition from Gyro Low power mode (GYRO_CYCLE=1), to Gyro Standby mode, in addition to the Gyro axis (axes) being turned off, the Temp Sensor will also be turned off if the Accel is disabled. In order to keep the temp sensor on during Gyroscope standby mode when Accel is disabled, the following procedure should be followed:

- Set GYRO_CYCLE = 0 at least one ODR cycle prior to entering Standby mode
- At least one of the Gyro axis is ON prior to entering Standby mode
- Set GYRO_STANDBY = 1

9.5 GYROSCOPE MODE CHANGE

Gyroscope will take one ODR clock period to switch from Low-Noise to Low-Power mode after GYRO_CYCLE bit is set.

If GYRO_CYCLE is set to 1 prior to turning on the gyroscope, the first sample will be from low-noise mode, which may not be a settled value. Ignoring the first reading is recommended in this case.

9.6 POWER MANAGEMENT 1 REGISTER SETTING

It is required to set CLKSEL[2:0] to 001 (auto-select) for full performance.

9.7 UNLISTED REGISTER LOCATIONS

Do not read unlisted register locations in Sleep mode as this may cause the device to hang up, requiring power cycle to restore operation.

9.8 CLOCK TRANSITION WHEN GYROSCOPE IS TURNED OFF

When the gyroscope is on, the on-chip master clock source will be the gyroscope clock (assuming CLKSEL[2:0] = 001 for auto-select mode); otherwise, the master clock source will be the internal oscillator as long as the part is not in Sleep mode. During a power mode transition, whenever the gyroscope is disabled and the part enters a mode other than Sleep, the on-chip master clock source will transition from the gyroscope clock to the internal oscillator. It will take about 20 μ s for this transition to complete.

9.9 SLEEP MODE

The part will only enter Sleep mode when the SLEEP bit in PWR_MGMT_2 is set to '1'. If SLEEP bit is '0' and bit STBY_[X,Y,Z]A and STBY_[X,Y,Z]G are all set to '1', accelerometer and gyroscope will be turned off, but the on-chip master clock will still be running and consuming power.

9.10 NO SPECIAL OPERATION NEEDED FOR FIFO READ IN LOW POWER MODE

The use of FIFO is enabled in all modes including low power mode.

9.11 GYROSCOPE STANDBY PROCEDURE

The follow precaution and procedure must be followed while using the Gyroscope Standby mode:

Precaution to follow while entering Standby Mode:

- The user will ensure that at least one gyro axis is ON when setting gyro_standby = 1.

Procedure to transition from Gyro Standby to Gyro off:

- The user should set gyro_standby = 0 first
- Next, turn off gyro x/y/z.

InvenSense Confidential
Advanced Information for GHIC Only

10 ASSEMBLY

This section provides general guidelines for assembling InvenSense Micro Electro-Mechanical Systems (MEMS) gyros packaged in LGA package.

10.1 ORIENTATION OF AXES

The diagram below shows the orientation of the axes of sensitivity and the polarity of rotation. Note the pin 1 identifier (•) in the figure.

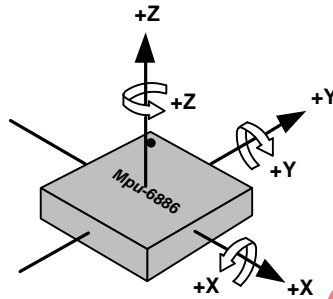


Figure 12. Orientation of Axes of Sensitivity and Polarity of Rotation

InvenSense Confidential -
Advanced Information for GHIC Only

10.2 PACKAGE DIMENSIONS

24 Lead LGA (3x3x0.75) mm NiAu pad finish

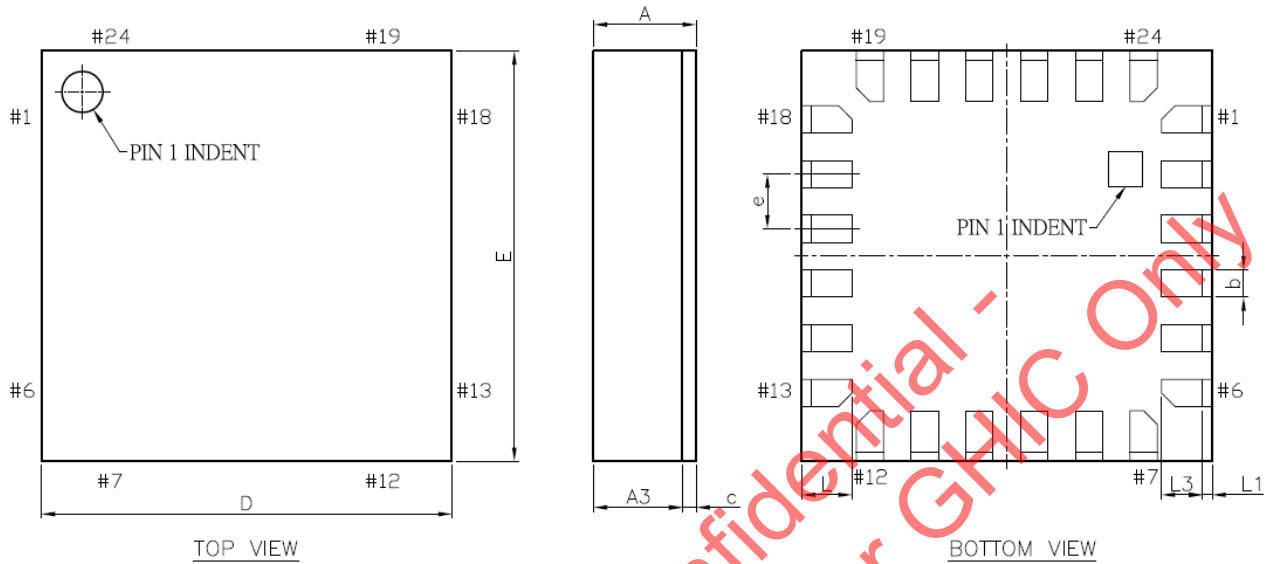


Figure 13. Package Diagram

| SYMBOLS | DIMENSIONS IN MILLIMETERS | | |
|---------|---------------------------|-----------|------|
| | MIN | NOM | MAX |
| A | 0.70 | 0.75 | 0.80 |
| A3 | --- | 0.65 REF. | --- |
| b | 0.15 | 0.20 | 0.25 |
| c | --- | 0.10 REF. | --- |
| D | 2.90 | 3.00 | 3.10 |
| E | 2.90 | 3.00 | 3.10 |
| e | --- | 0.40 | --- |
| L | 0.32 | 0.37 | 0.42 |
| L1 | 0.02 | 0.07 | 0.12 |
| L3 | 0.25 | 0.30 | 0.35 |
| y | 0.00 | --- | 0.08 |

Table 20. Package Dimensions

11 PART NUMBER PACKAGE MARKING

The part number package marking for MPU-6886 devices is summarized below:

| PART NUMBER | PART NUMBER PACKAGE MARKING |
|-------------|-----------------------------|
| MPU-6886 | I66 |

Table 21. Part Number Package Marking

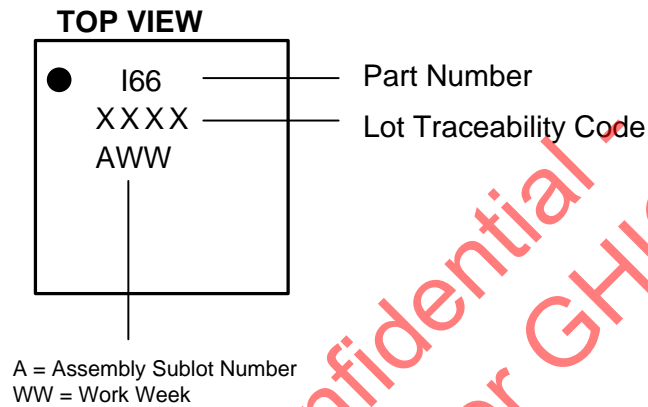


Figure 14. Part Number Package Marking

InvenSense Confidential
Advanced Information for GHIC Only

12 REFERENCE

Please refer to “InvenSense MEMS Handling Application Note (AN-IVS-0002A-00)” for the following information:

- Manufacturing Recommendations
 - Assembly Guidelines and Recommendations
 - PCB Design Guidelines and Recommendations
 - MEMS Handling Instructions
 - ESD Considerations
 - Reflow Specification
 - Storage Specifications
 - Package Marking Specification
 - Tape & Reel Specification
 - Reel & Pizza Box Label
 - Packaging
 - Representative Shipping Carton Label
- Compliance
 - Environmental Compliance
 - DRC Compliance
 - Compliance Declaration Disclaimer

InvenSense Confidential -
Advanced Information for GHIC Only

13 DOCUMENT INFORMATION

13.1 REVISION HISTORY

| Revision Date | Revision | Description |
|---------------|----------|---------------------------------|
| 12/20/2016 | 1.0 | Initial Release |
| 03/29/2017 | 1.1 | Updated Sections 1, 2, 4, 8, 10 |

InvenSense Confidential -
Advanced Information for GHIC Only

This information furnished by InvenSense is believed to be accurate and reliable. However, no responsibility is assumed by InvenSense for its use, or for any infringements of patents or other rights of third parties that may result from its use. Specifications are subject to change without notice. InvenSense reserves the right to make changes to this product, including its circuits and software, in order to improve its design and/or performance, without prior notice. InvenSense makes no warranties, neither expressed nor implied, regarding the information and specifications contained in this document. InvenSense assumes no responsibility for any claims or damages arising from information contained in this document, or from the use of products and services detailed therein. This includes, but is not limited to, claims or damages based on the infringement of patents, copyrights, mask work and/or other intellectual property rights.

Certain intellectual property owned by InvenSense and described in this document is patent protected. No license is granted by implication or otherwise under any patent or patent rights of InvenSense. This publication supersedes and replaces all information previously supplied. Trademarks that are registered trademarks are the property of their respective companies. InvenSense sensors should not be used or sold in the development, storage, production or utilization of any conventional or mass-destructive weapons or for any other weapons or life threatening applications, as well as in any other life critical applications such as medical equipment, transportation, aerospace and nuclear instruments, undersea equipment, power plant equipment, disaster prevention and crime prevention equipment.

©2017 InvenSense, Inc. All rights reserved. InvenSense, Sensing Everything, MotionTracking, MotionProcessing, MotionProcessor, MotionFusion, MotionApps, DMP, and the InvenSense logo are trademarks of InvenSense, Inc. Other company and product names may be trademarks of the respective companies with which they are associated.

©2017 InvenSense, Inc. All rights reserved.



**InvenSense Confidential -
Advanced Information for GHIC Only**